

LED Architectural Troffer - 208 Series



CONSTRUCTION

- Die formed of 0.6mm cold-rolled steel body
- All steel surface are painted after fabrication with high gloss backed white matte powder painted.
- High-diffusion light-milky Acrylic diffuser
- Fully recessed luminaire fits standard T-Grid ceilings.

ELECTRICAL

- All electrical components are UL approved,
- Input Voltage from 120-277V
- Bridgelux / Hongli / Mason SMD2835 LED chips
- LED Driver: UL/CUL 120-277V 0-10V LED Driver
- 5 years warranty

LABELS

ETL Listed, approved for dry/damp location unless otherwise noted

SPECIFICATION

- ETL & DLC listed; With LM79 & LM80;
- High luminous efficacy 105 lm/w;
- 50,000 hours warranty 0-10V UL/CUL listed LED Driver, Flicking free.
- PF > 0.90
- driver efficiency > 87%; THD < 20%;
- CRI > 80
- Suitable for dry/damp location
- Designed for office, conference room etc.

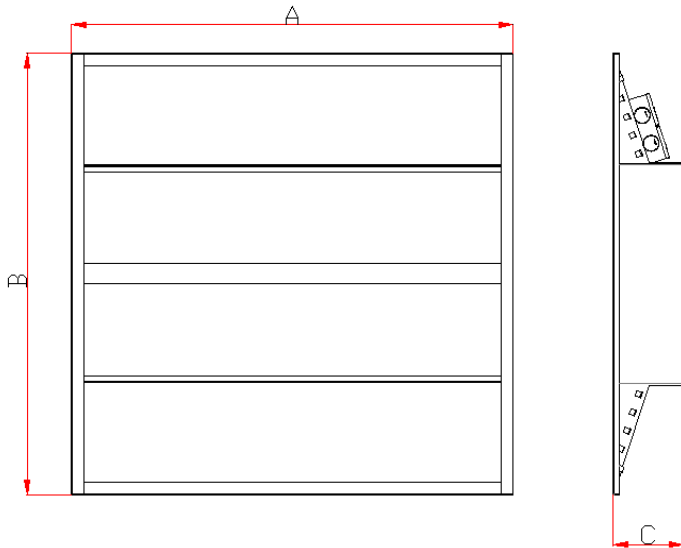
Application

- Schools/ hospitals/ office/ retails/ commercial...
- New construction or retrofit for T-Bar ceiling installations

ORDERING GUIDE

Model No: HY-TR208-(XX)W(X)x(X)-(XX)K						
Model No	Lumens	Company Code	Product	Watt	Size	C.C.T.
HY-TR208-30W2x2-XXK	3150LM	HY	TR208: 208 Series Architectural Troffer	30W	2x2	40K: 4000K
HY-TR208-40W2x4-XXK	4200LM			40W	2x4	50K: 5000K

PRODUCT DIMENSION

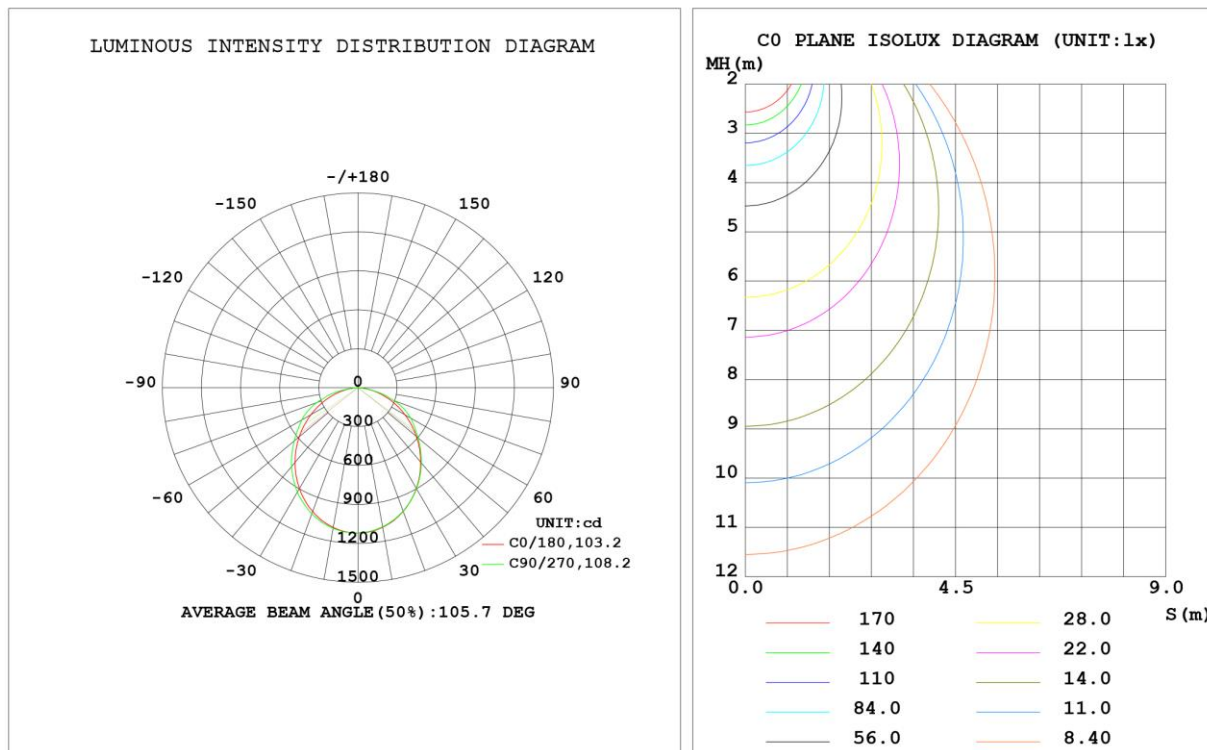


Model No	A	B	C	WATTAGE
HY-TR208-30W2x2-XXK	23.8"	23.8"	3.78"	30W
HY-TR208-40W2x4-XXK	47.6"	23.8"	3.78"	40W

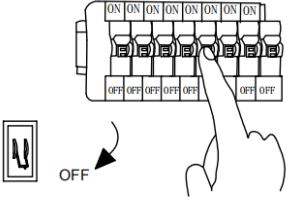
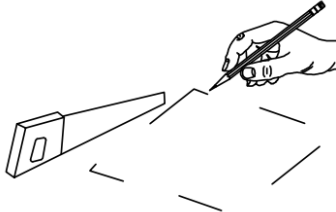
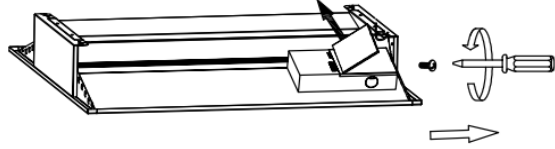
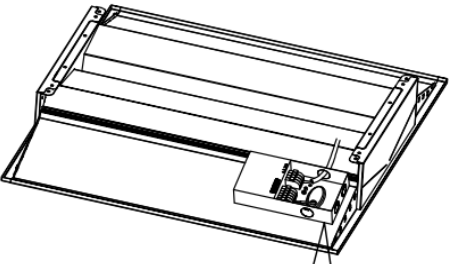
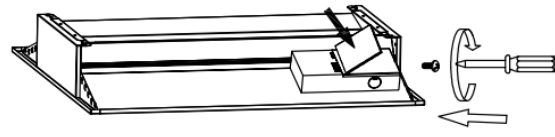
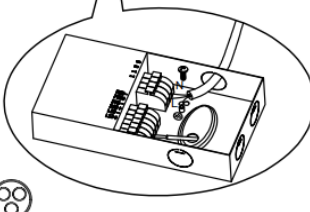
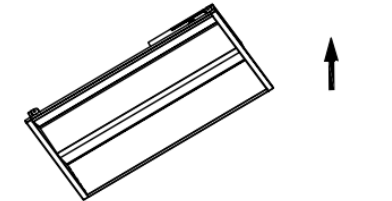
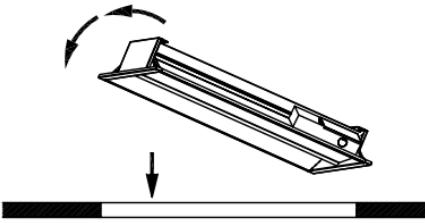
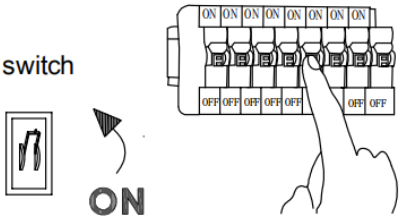
PACKAGE/WEIGHT

Model No	Size	Master Carton Size (LxWxH)	Qty/Carton	Weight (KG)/(LBS)
HY-TR208-30W2x2-XXK	2x2	25.00"x25.00"x4.72"	1	5.20KG/11.46lbs
HY-TR208-40W2x4-XXK	2x4	48.62"x 25.00"x4.72"	1	8.90KG/19.62lbs

LIGHT DISTRIBUTION



INSTALLATION

<p>Step1</p>  <p>Turn off the switch</p>	<p>Step2</p> 
<p>Step3</p> 	<p>Step4</p>  <p>Customer self match hose and connector and please self match external power cord which meets safety regulations of installation and using area</p>
<p>Step5</p> 	
<p>Step6</p> 	<p>Step7</p> 
<p>Step8</p> <p>Turn on the switch</p> 	

WARNING

1. The installation and maintenance must be completed by electricians or professionals.
2. Please cut off the power before installation and maintenance.
3. The thermally insulating material is not allowed to cover the fixture.
4. Please keep away from the corrosive substance, and keep the fixture dry and clean.
5. Working temperature: -4°F~104°F, storage temperature: -22°F~140°F.