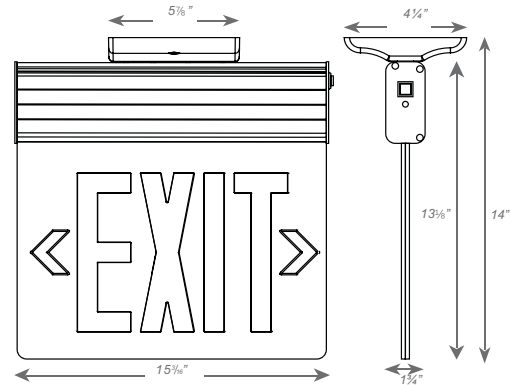




LED Exit Sign See-Through Single Side Plate Edge Lit (NYC Approved)



FEATURES

- Injection molded, color stable, high impact UL 94-5VA rated polycarbonate
- Snap-fit construction to enable fast installation
- See-Through Single Side Plate Edge Lit
- 8" letter and aluminum mounting canopy for NYC approved
- Aluminum mounting canopy included for top, side and back mount.

ELECTRICAL

- UL924 Listed & UL Damp Location Rated
- Dual 120/277 voltage.
- Charge rate/power "ON" LED indicator light and push-to-test. switch for mandated code compliance testing. 4.8V Long life, maintenance-free, rechargeable NiCd battery.
- Maximum 24 hours for full recharge time
- Internal solid-state transfer switch automatically connects the internal battery to LED board for minimum 90-minute emergency illumination.

SPECIFICATION

Model No.	HY-EXS028R-NYC
Voltage	120/277v 60 Hz
Finish	See-Through Single Side Glass/ Red Sign
Emergency Time	90 Minutes
Battery	4.8V Ni-Cad Battery
Letter Size	8" Red Letter
Operating Temperature	32°F ~+104°F / 0°C~+40°C
Package Info	16 in x 13 in x 15 in
PC/ Master Pack	6 PCS
Weight	34.7 LB