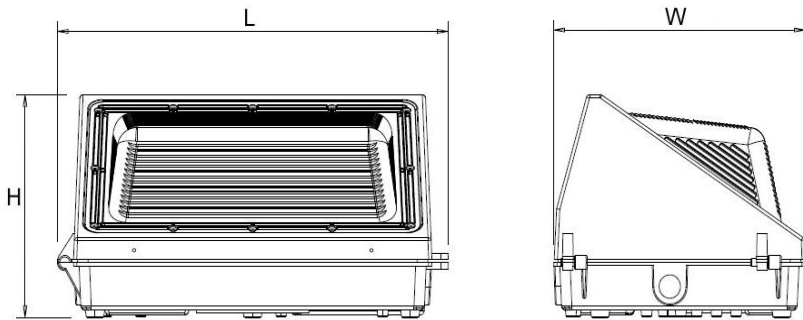


SPECIFICATION

LED WALLPACK LIGHT



Maximum Overall	L	W	H
60/100w	361MM	232MM	189MM
120W	465MM	230MM	238MM



FEATURES

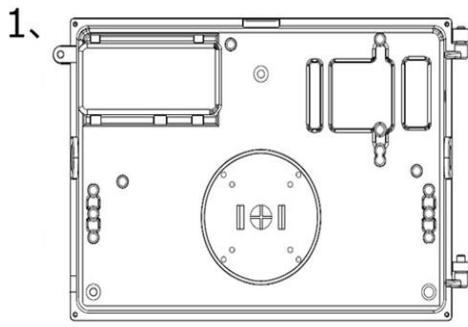
Input voltage:	AC100-277V
Operating frequency:	50/60Hz
Power Factor:	≥0.95
Working temperature range:	-40°C-+45°C
Storage temperature range:	-40°C-+60°C
Color Temp:	3000K-6500K
THD:	<12%
IP Rating	IP65
CRI	>80
Beam Angle	120 degree

- Luminous Flux: >130lm/w
- Self-Design driver, PHILIPS SMD3030 LEDs
- Lifetime 5 years' warranty
- Excellent Dia-cast Aluminum housing, best heat sink
- 4KV Anti-Surge protection Device
- IK: 08

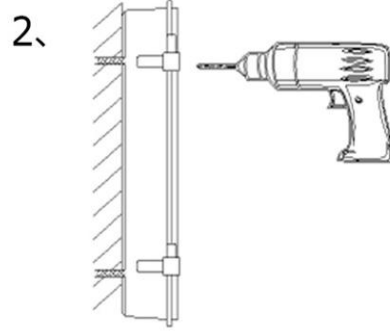
PARAMETERS

Product Code	Certification	Wattage	Lumens	Packing	G.W.
SPL-FL02-60W	UL, FCC	60W	7,500lm	38*25*21cm/1pc	3.1kg
SPL-FL02-100W	UL, FCC, DLC	100W	13,000lm	38*25*21cm/1pc	3.9kg
SPL-FL02-120W	UL, FCC	120W	15,600lm	48*25*26cm/1pc	5.3kg

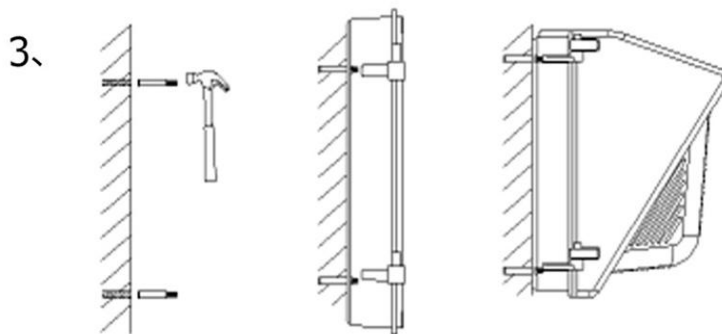
MOUNTING



1. Take apart the PC cover and fixture housing



2. Put the fixture on the wall, drill 3 holes to get through the housing



3. Get expansion screws into the holes, match the fixture to the bolts, then fix the fixture on the wall by screws, lastly get the PC cover and fixture housing back together

Warning:

1. Please read the instructions carefully before installation, Non-professionals stop opening light fixtures.
2. Please don't modify the product structure or accessories.
3. Product rated voltage is 100-277VAC. Please make sure voltage range is meeting the requirements.
4. Please don't use chemicals to clean lamp lighting surface.
5. Please make sure there are lighting protection actions before installing the light.