



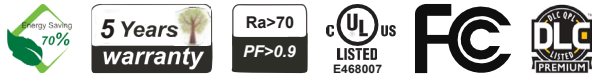
Project Name: \_\_\_\_\_  
 Date: \_\_\_\_\_ Note: \_\_\_\_\_

## LED FLOOD LIGHT



**Application:** wall lighting, landscape, building facade and signage, entry ways, garages, building perimeters, loading bays and both for residential and commercial applications

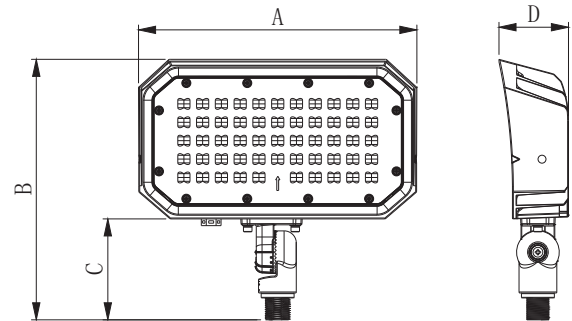
### Certifications



### SPECIFICATION

SK	HYA-FL-15W-80*110-D-K-50K	HYA-FL- 0W-80*110-D-K-50K	HYA-FL-50W-80*110-D-K-50K
MODEL No	TS-FL080 -15W	TS-FL080 - 0W	TS-FL0805-50W
Wattage	15W	0W	50W
Lumen	1 50 lm	00 lm	000 lm
EPLACES MH	0W	100W	150W
Lamp a e Model	L MILED 0 0		
E iciency	1 0 LM W		
CCT	5000K		
Mounting	Kuc le Mount		
Lighting Angle	80*110		
C I	0		
Wor ing Temperature	- 0 F 11 F		
Waterproo ating	IP 5		
Li etime	50 000 hour		
DLC ID	P YAFC	P 5AMPIL	PP AOF
PC Pac	0	0	10
Inner ox	5 51 * *	* *	* * * 8
Ma ter ox	1 *11 *1 8	15 *1 *1	1 1 *1 *
Weight Ma ter ox		5	8 L

### DIMENSIONS




### ORDERING CODE DEFINITION

**Example: HYA-FL-50W-80\*110-D-K-50K**

Company Code	Product	Wattage	Lighting Angle	Dimming	Mounting	CCT
HY	FL: Flood Light	15W	80*110: 80*110	D: 0-10 Dimma le	K: Knuc le	50K: 5000K
		0W				
		50W				