



Project Name: _____

Date: _____ Note: _____

LED SHOEBOX/ AREA LIGHT



Application: Outdoor area lighting, parking lots, buildings, building facades, storage yards, parks and much more

Feature:

- Cast aluminum design, better cooling and easy replacement, light quality, LEDTj<185 F
- Excellent optical design greatly improves the light utilization and evenness
- Seoul LED high luminous efficiency and long life
- High efficiency LED Driver, the wide range input voltage AC100-277V (1-10Vdc Dimmer)
- Superior thermal management with external Air-Flow Fins
- Ingress protection rating of IP65 for dust and water

Certifications



SPECIFICATIONS:

Model No.	HYA-SL-100W-H3-50K	HYA-SL-150W-H3-50K	HYA-SL-200W-H3-50K	HYA-SL-300W-H3-50K
Option	Sensor: [Blank;(PTC)]		Mounting Bracket: [A;C;D;E]	
Wattage	100W	150W	300W	300W
Rated Current	1.1A	1.65A	3.3A	3.3A
Mounting Height	10' to 25'	15' to 30'	20' to 35'	25' to 40'
Lamp Bead Model	SEOUL 3030			
Driver	SOSEN			
Lighting Angle	TYPE III -M			
Lighting Efficiency	130 Lm/W			
Color Rendering Index	Ra>70			
Working Temperature	-40 °F ~+122 °F / -40 °C ~ +40 °C			
Storage Temperature	-40 °F ~+158 °F / -40 °C ~ +70 °C			
Environment Location	IP 65 - Wet Location			
Lifespan	> 50000H			
Lampshell	DARK BROWN			
DLC ID	PLOK2D7I280C	PLYUGODZRO3E	PL3GDW0IYX3G	PLFZOGZYWLNW
Package Size (inch)	18.11x14.37x5.71	24.02x14.37x5.71	24.02x14.37x5.71	27.72x14.37x5.71
P/C Master Pack	1	1	1	1
Weight	8.27 LB	15.5 LB	15.5LB	16.32 LB

ACCESSORIES

	Type	Image	Package Size (mm)	Order Code
Mounting Bracket	Slip Fitter		Inner: 235*110*90 Master (8 pcs): 380*236*255	SF or Type A
	Arm-Square/ Round pole mount		Inner: 176*168*100 Master (8 pcs): 420*352*196	Arm or Type C
	Trunnion		Inner: 180*180*70 Master (8 pcs): 376*300*200	T or Type D
	Yoke		Inner: 365*57*248 Master (8 pcs): 512*248*385	Y or Type E
Sensor Option	Dusk to Down Photocell		Inner: 85*85*105 Master (50 pcs): 445*445*230	PTC
	Shorting cap		Inner: 85*85*105 Master (50 pcs): 445*445*230	NPC or Blank

ORDERING CODE DEFINITION

HYA-SL-(100W or 150W or 300W)-H3-50K-(PTC or Blank) - (A or C or D or E) Example: HYA-SL-100W-H3-50K-PTC-B

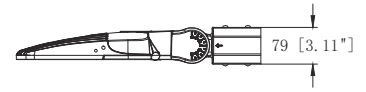
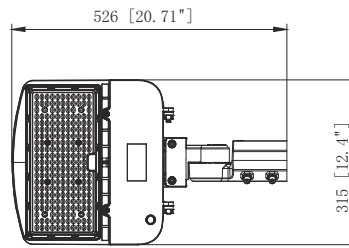
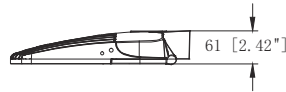
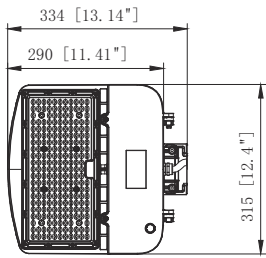
Company Code	Product	Power	Beam Angle	CCT	Sensor Option **	Mounting Bracket *
HYA	SL: Shoebox/Area Light	100W 150W 200W 300W	H3: Standard / Type III	5000K	PTC: Dusk to down photocell NPC/Blank: Shorting Cap/No photocell function	Type A/SF: Slip Fitter Type C/Arm: Square/Round pole mount Type D/T: Trunnion Mount Type E/Y: Yoke/U-Bracket Mount

* Yoke/U Bracket only available for 100W/150W fixture. ** Sensor and mounting bracket is required for each fixture

PRODUCT DIMENSIONS

100W

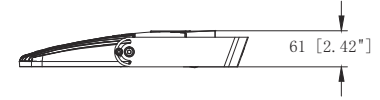
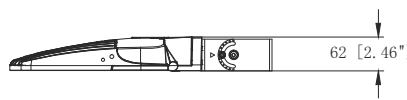
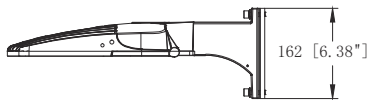
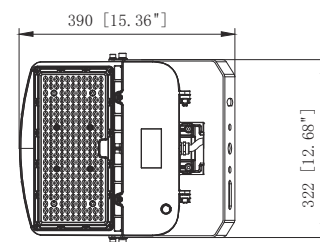
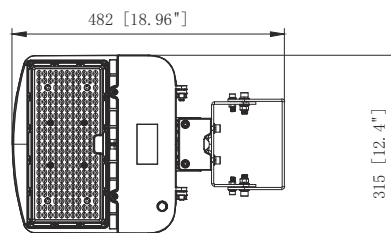
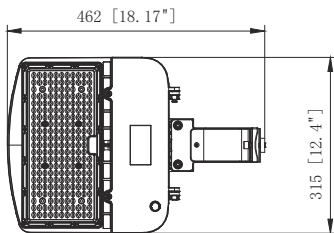
SF- Slip Fitter



Arm-Square/Round pole mount

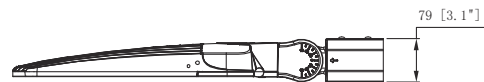
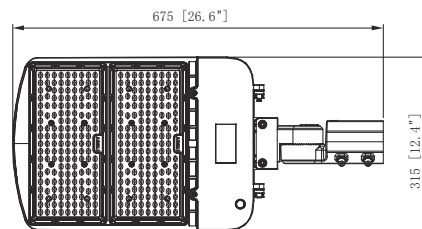
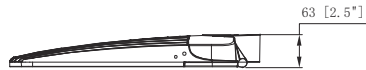
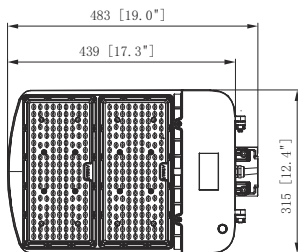
T-Trunnion

Y-Yoke



150W & 200W

SF- Slip Fitter



Arm-Square/Round pole mount

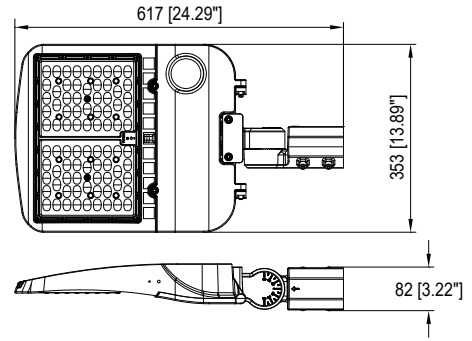
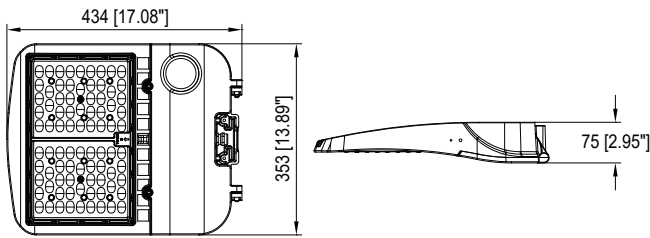
T-Trunnion

Y-Yoke

PRODUCT DIMENSIONS

300W

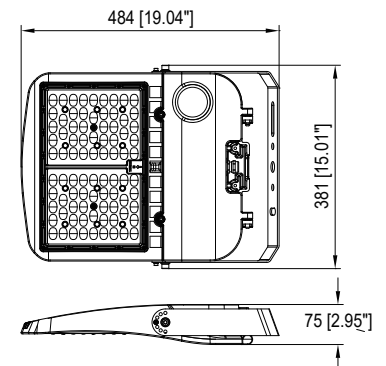
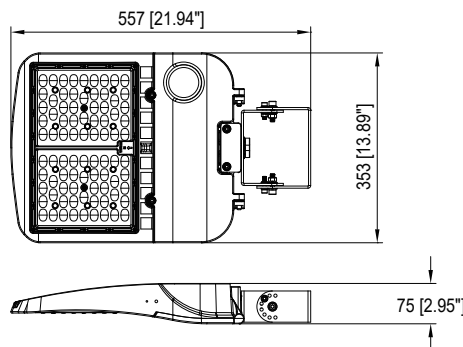
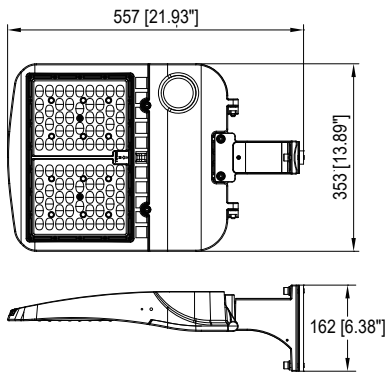
SF- Slip Fitter



Arm- Square/Round pole mount

T-Trunnion

Y-Yoke



EXPANSION FUNCTION

High quality waterproof breather valve, keep internal and external pressure in balance

Photocell and shorting cap for option



Flexible power box, safe and easy to maintain

INSTALLATION INSTRUCTION

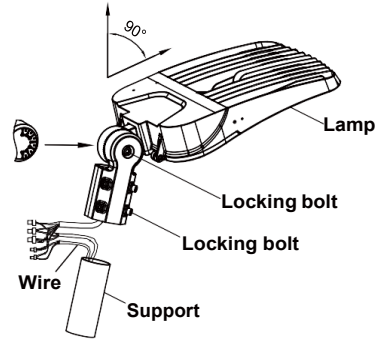
Slip-fitter

Step 1: Loosen the 4 screws on the lamp holder, connect the wires correctly and put the wires into the lamp pole, then lock the screws well to fix the lamp on the lamp pole.

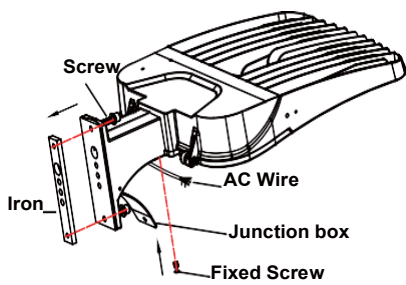
Step 2: Loosen the locking bolt with tools, rotate the lamp and lock the screw after determining required angle.

Notice: Locking bolt can be only compatible with a lamp pole that the outer diameter is

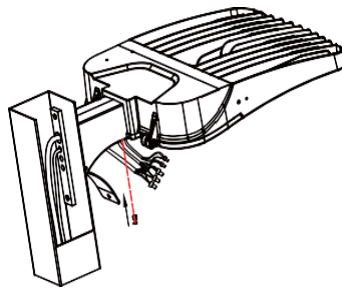
φ60, lamp adjustable angle is 0-90°



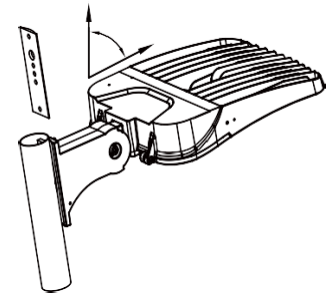
Arm-Square/Round pole mount



Step 1. Use tools to take screw apart and put installed iron bar away, remove fixed screw and open junction box, then pass the AC wire through it.

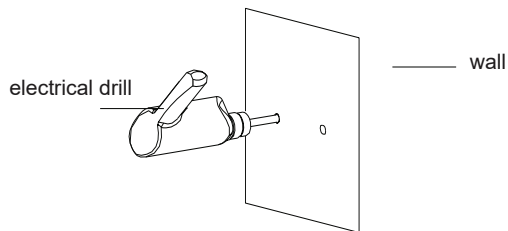


Step 2. Use tools to fix the lamp on square lamp pole, connect the wires correctly and make waterproof measures well, close the junction box and finish installation.

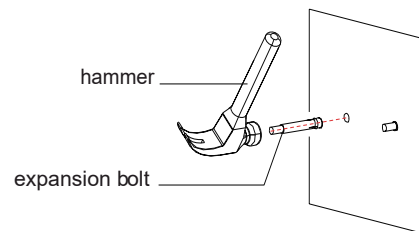


Notice: Remove the rubber mat when the lamp is installed on round lamp pole.

Trunnion



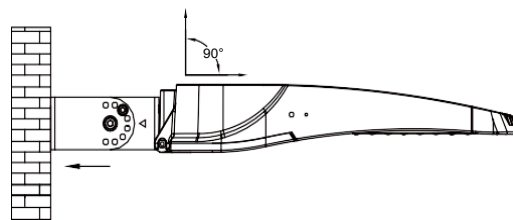
Step 1. Mark the position of the fixing holes with foold lightbracket, then drill the fixing holes.



Step 2. Input two expansion bolts.

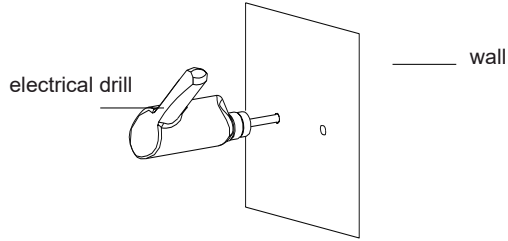
Step 3: Waterproof measures must be taken after connecting the wire correctly, install the lamp well after putting the wires back into the trunking.

Attention: Lamp adjustable angle is 0-90°

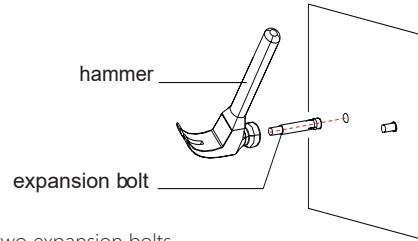


INSTALLATION INSTRUCTION

Yoke



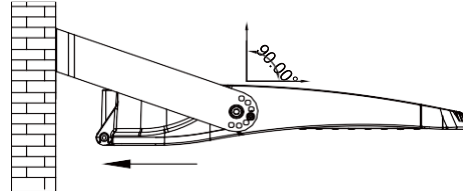
Step 1. Mark the position of the fixing holes with foold lightbracket, then drill the fixing holes.



Step 2. Input two expansion bolts.

Step 3: Waterproof measures must be taken after connecting the wire correctly, install the lamp well after putting the wires back into the trunking.

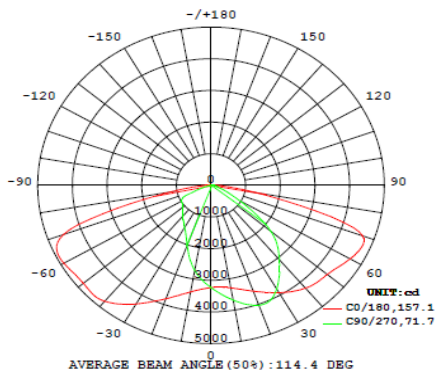
Attention: Lamp adjustable angle is 0-90°



PHOTOMETRIC REPORT

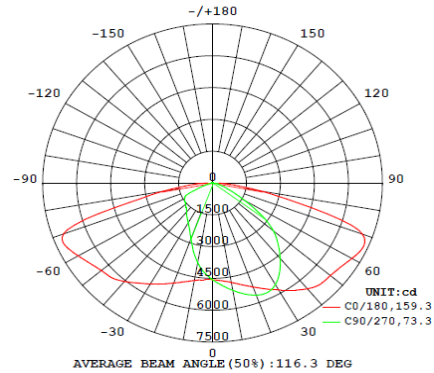
100W

INTENSITY DISTRIBUTION DIAGRAM
IN C PLANS



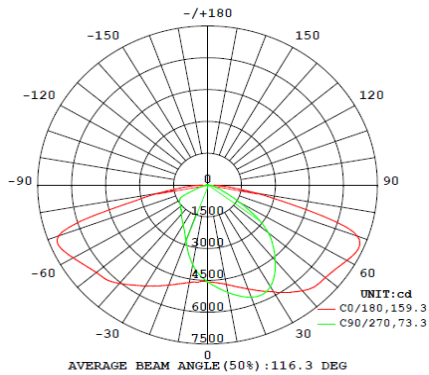
150W

INTENSITY DISTRIBUTION DIAGRAM
IN C PLANS



200W

INTENSITY DISTRIBUTION DIAGRAM
IN C PLANS



300W

INTENSITY DISTRIBUTION DIAGRAM
IN C PLANS

