

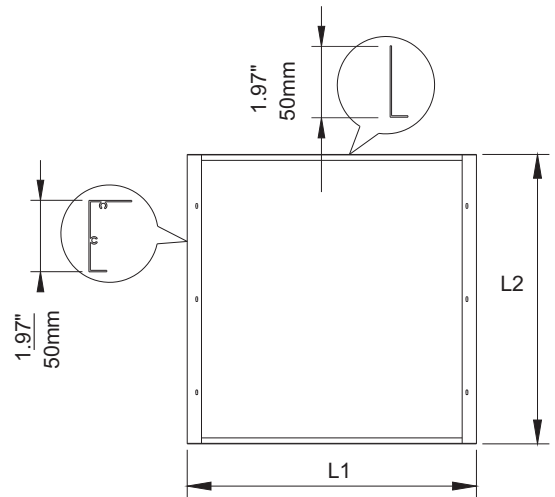


Surface Mount Kit - For LED Panel



FEATURE

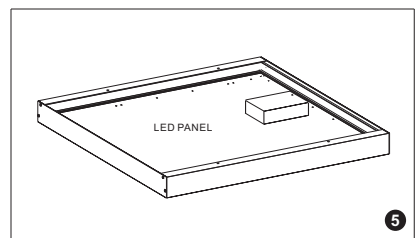
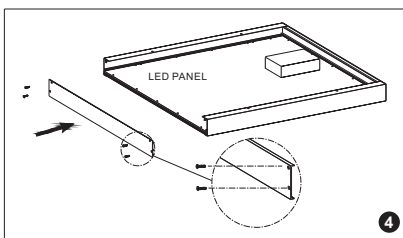
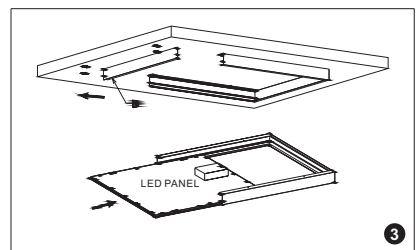
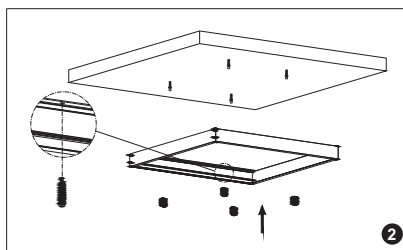
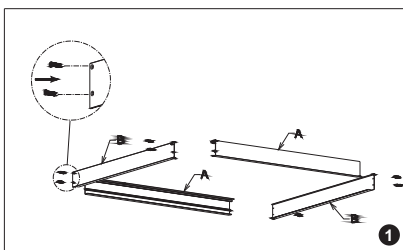
- Material: Aluminum
- Suitable for both LED edge-lit and Back-lit Panel



DIMENSION

Size	1'X4'	2'X2'	2'X4'
Dimensions			
L1	308mm/12.13"	608mm/23.94"	608mm/23.94"
L2	1218mm/47.95"	608mm/23.94"	1218mm/47.95"

INSTALLATION



- ① Assemble the surface mounted frame and fix by screws.
- ② knock the plastic anchor into ceiling, fix the surface mounted frame on the ceiling by screws.
- ③ Unscrew the side frame then take out, connect the panel light to power supply, insert the panel light into the frame.
- ④ Fix the side frame back by screw.
- ⑤ Make sure the frame and panel light are firmly fixed, turn on the power.