



Item number:	
Note:	Type:



CORAM SERIES LED MEDIUM FLOOD LIGHT

Product Abstract:

Coram LED flood lights are wet location rated for outdoor use. Die-cast aluminum housing with protective powder paint finish, and integrated heat sink to maximize performance and provide long fixture life. Fixture come with slip fitter or trunnion bracket for installation on pole top or on the wall. If you are using conventional bulbs you will be purchasing up to four times as many bulbs or fixtures compared to a single LED replacement with a long operating lifetime. Buying and using conventional bulbs and fixtures also means that you incur three times more maintenance as well as replacement costs compared to LED lighting.

Application: general area lighting, building facades, displays, signage, landscaping and much more

Mounting Height: 10' to 20'

Led characteristics:

- Citizen COB LED, high luminous efficacy and long working life
- 50,000+ hour LED lifespan based on IES LM-80 results and TM-21 calculations
- LED color temperature is warrantied to shift no more than 200K in CCT over a 5-year period
- Our range of CCT (Correlated Color Temperature) follows the guidelines of the American National Standard for Specifications for the Chromaticity of Solid State Lighting (SSL) Products, ANSI C78.377-2015

Construction:

- Minimum starting temperature is -30°F
- Suitable for use in areas up to 105°F ambient temperatures
- Die-cast aluminum housing with die-cast slip fitter or trunnion mounting bracket
- Newest light weight design for easy installation, at the same time still with excellent heat dissipation for longer lifespan
- High-temperature silicone gaskets
- Ingress Protection rating of IP65 for dust and water
- Powder-coat finish formulated for high-durability and long-lasting color
- Mercury and UV free. RoHS compliant components. Polyester powder coat finish formulated without the use of VOC or toxic heavy metals.

Optics:

- Prismatic polycarbonate lens UV coated and treated against turning color
- Excellent optics design with 140° wide beam angle, greatly improve the light utilization and evenness

CERTIFICATIONS



MODEL#: AFLN152-080W-XXK-XX-X-X

Specifications:

SKU:	CFL080W-XXK-XX-XX
Power:	80W
Input Voltage:	AC100-277V
Luminous Flux:	10,800 Lumens
Efficacy:	135 lm/W
Power Factor:	0.95
Driver Efficiency:	>90%
CCT:	5000K (4000K Option)
CRI:	82
Total Harmonic Distortion:	12.63%
LED Brightness Decay:	<5%/6,000 hours
Working Life:	>50,000 hours
Working Temperature:	-30°F to 105°F
Protection Level:	Wet Location/IP65
Product Size:	12.5" x 8" x 9.5"
Packing Size:	14" x 11" x 13"
Net Weight:	1.4 lbs
Gross Weight:	1.6 lbs
DLC Product ID:	50K: P67GX4UC 40K: PYYCZKXX

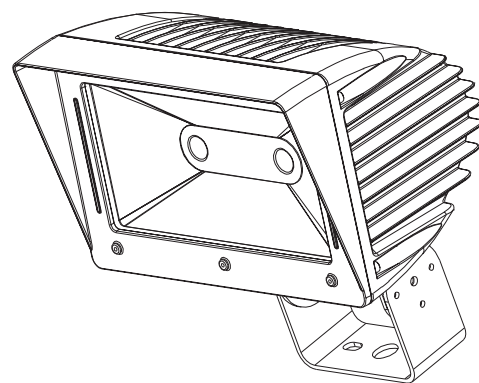
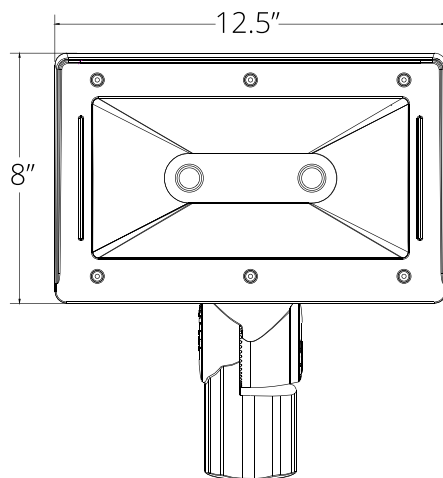
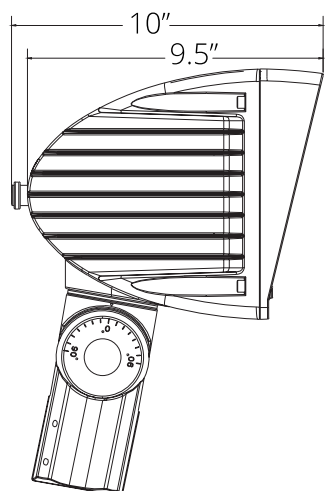
COMPARISON TABLE

Type	Wattage	Energy Saving (%)	L70 Life Span
Coram Series - 10,800 Lumens	80W	-	>50,000 Hours
250W Metal Halide	290W	72%	10,000 Hours
400W High Pressure Sodium	458W	83%	20,000 Hours

LAMP CODE DEFINITIONS

Product	Power	Color Temp.	Control	Mounting	Finish
AFLN152: CFL Medium Flood Light	080W: 80W	40K: 4000 Kelvin 50K: 5000 Kelvin	(blank): no controls PC: 110-277VAC photocell	T: Trunnion S: Slip Fitter	B: Black D: Dark Bronze W: White

PRODUCT DIMENSION



12.5" x 8" x 9.5"

APPLICATION

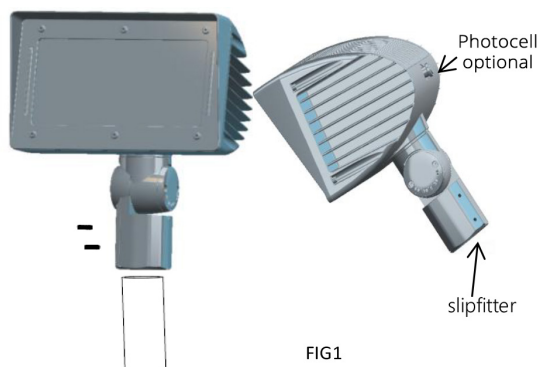
This LED luminaire is designed for outdoor, wet location use not to exceed 105° ambient. Approved for wall/surface applications in down light or upright mount. For branch utilize min 18# 90° wire with silicone sealant

IMPORTANT: To weather-proof your outdoor installation, be sure to seal all holes in fixture housing. (mounting, conduit plugs, photocontrols. Etc.)

INSTALLATIONS FOR SURFACE MOUNTING

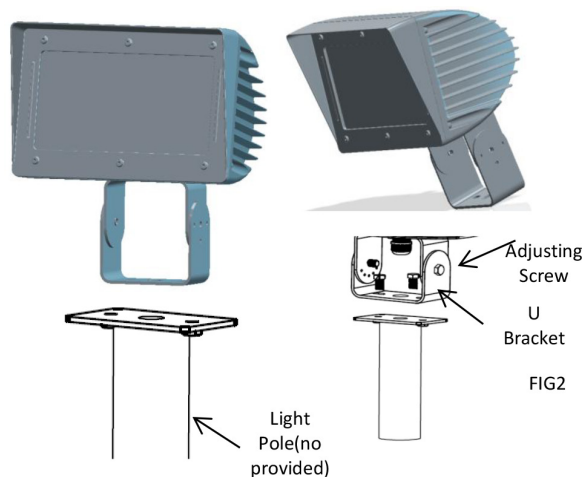
SLIP FITTER MOUNTING (FIG1)

1. Wire fixture IN Light pole (not provided)
2. Remove slipfitter cover to check the wire and adjust the light angle then re-attach cover
3. Place slipfitter over 2 3/8 tennon and tighten with 4 set-screws (provided)



U-BRACKET INSTRUCTIONS (FIG2)

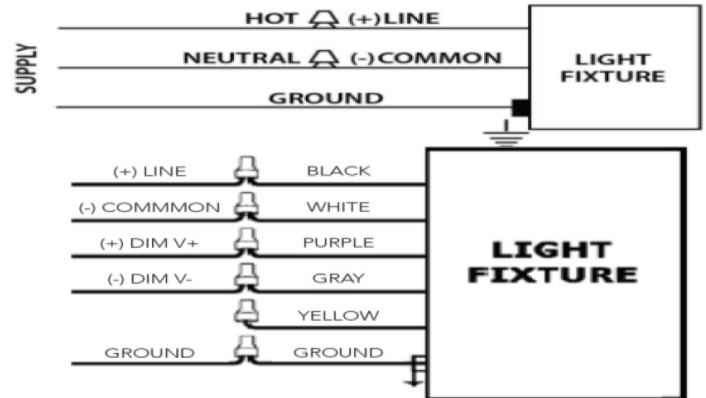
1. Mount the U-bracket to light pole or some same surface or wall by (2) #5/16-18 screws (provided)
2. A UL approved water resistant strain relief bushing shall be used for supply connection



WIRING

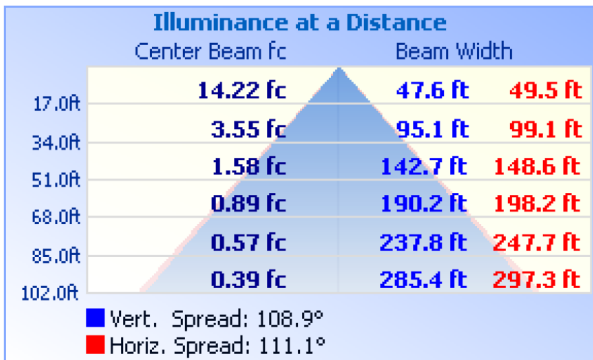
CAUTION: Should wiring in the pole(first open the door of the pole).
Check that voltage is compatible with fixture Driver..Use approved connectors for all electrical connections

1. Connect the line fixture lead to the hot supply lead.
2. Connect the common fixture lead to the neutral supply lead.
3. Connect the grounding fixture lead to the ground.
4. Connect the purple fixture lead to the (V+) DIM lead (if uses 0-10V dimmable Driver)
5. Connect the gray fixture lead to the (V-) DIM lead (if uses 0-10V dimmable Driver).
6. Make sure connections are secure using wire nuts, crimp-on lugs or other approved connecting devices.



0-10V dimming Driver Wiring

PHOTOMETRIC REPORT



Zonal Lumen Summary		
Zone	Lumens	% Luminaire
0-30	3,225.5	30.8%
0-40	5,363.2	51.2%
0-60	9,489.3	90.7%
60-90	966.0	9.2%
70-100	67.6	0.6%
90-120	1.0	0%
0-90	10,455.3	99.9%
90-180	9.6	0.1%
0-180	10,464.9	100%

