

## LED Vapor Tight Fixture



**SSOLFDR** Parking garages; docks; subway station; canopy; walk-in refrigerators; awning...



### Specifications:

Specifications:	
Model No.	HY-4FT-VT-50W-50K
Power:	50W
Input Voltage:	AC100-277V
Luminous Flux:	7500 15000
Efficacy:	150 lm/W
Power Factor:	>0.9
THD:	<10%
CCT:	5000K
CRI:	>80
Working Life:	>50,000 hours
Working Temperature:	-40°F to 122°F
Protection Level:	Wet Location/IP65
Product Size:	4.13" x 6.25" x 49.84"
Qty/Pack	4
Packing Size	51.18"x8.27"x14.17"
Net Weight/Pack	35.27LB

### DISCRIPTION

The LED vapor tight fixture is a cost effective and energy efficient alternative to traditional fluorescent tubes or strip light fixtures. Featuring a full-length, gasketed polycarbonate lens and single piece non-corrosive polycarbonate body.

### FEATURES

- IP 65. water tight and dust tight
- Suitable for wet location
- High Energy Efficiency: 150 LM/W

### Application

- Parking garages; docks; subway station; canopy; walk-in refrigerators; awning
- Indoor and Outdoor Application

### Ordering Guide

Model No: HY-4FT-VT-50W-50K				
Company Code	Length	Product	Watt	C.C.T.
HY	4FT	VT: Vapor Proof Fixture	50W	50K: 5000K

## PRODUCT DETAILS



High efficient LED chips with 150lm/W light efficiency, and white plate with high brightness spray.

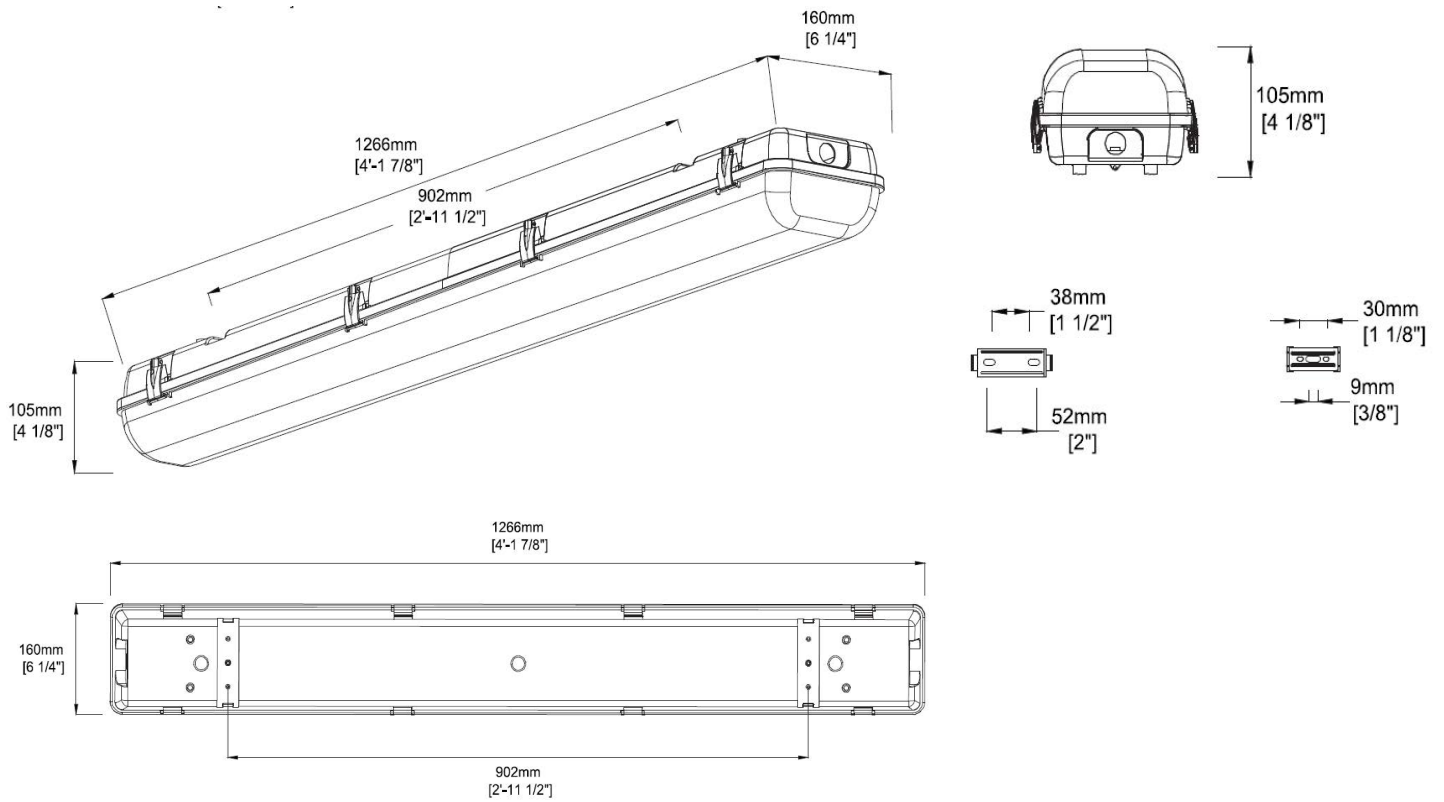


PCB with 4KV withstand voltage rating, and polycarbonate housing with 5VA rated fire resistance rating.



Metal fixed terminals for secure installation, and safety ropes for convenient installation.

## DIMENSION



## PHOTOMETRIC

