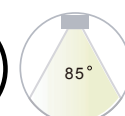
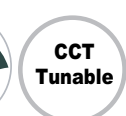




## LED UFO3 High Bay - Watt and CCT Selectable



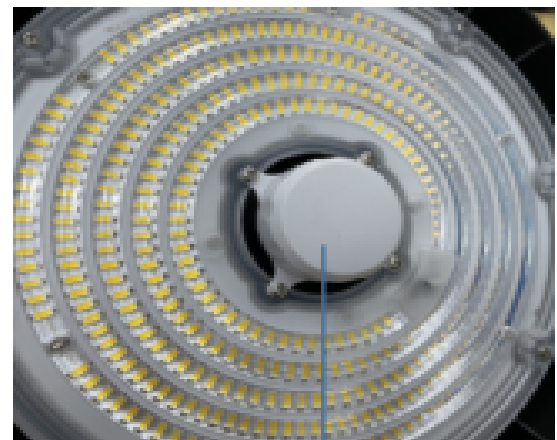
**Application:** Ideal for warehouse, gym, convention center and other commercial and industrial space



### Product Description

This UFO3 Series UFO High Bay featuring the watt and CCT selectable option and has built-in heat sink and comes with a hook made of die-cast aluminum for a strong and easy installation. Motion sensor base is pre-installed for quick installation and more energy saving. 0-10V dimming to meet different light output needs.

### FEATURE



Built in sensor base  
Easy Twist on Sensor Installation

### Specifications

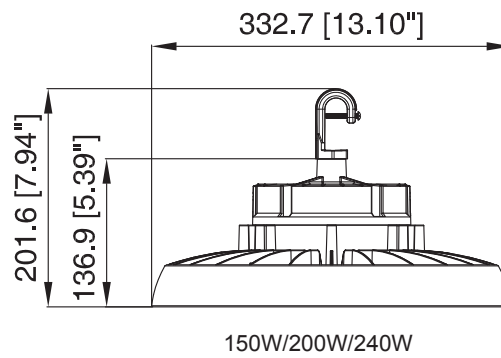
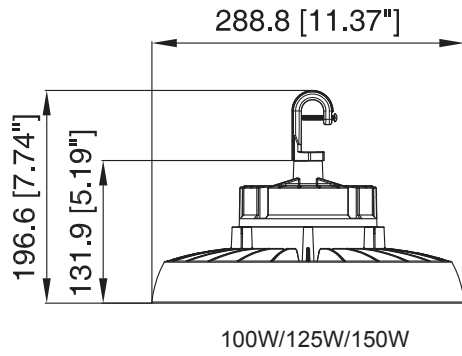
Model No.	HYA-UFO3-150W-85-H-3W3CCT	HYA-UFO3-240W-85-H-3W3CCT
Power:	100-125-150W	150-200-240W
Input Voltage:	AC100-277V	
Luminous Flux:	20,685LM at 150W	32,305LM at 240W
Efficacy:	130 lm/W	
Power Factor:	>0.9	
THD:	<10%	
CCT:	Selectable: 3500K-4000K-5000K	
CRI:	>80	
Working Life:	50000 HRS	
Working Temperature:	-40°F~113°F	
DLC Listing	S-DSVPGU	S-ZGUOHT
Option	Motion Sensor	
Qty/Master Pack	1	1
Master Pack Size:	13.31" x 13.31" x 7.76"	15.53" x 15.43" x 7.76"
Master Pack Weight	7 lbs	10 lbs

## ORDERING CODE DEFINITION

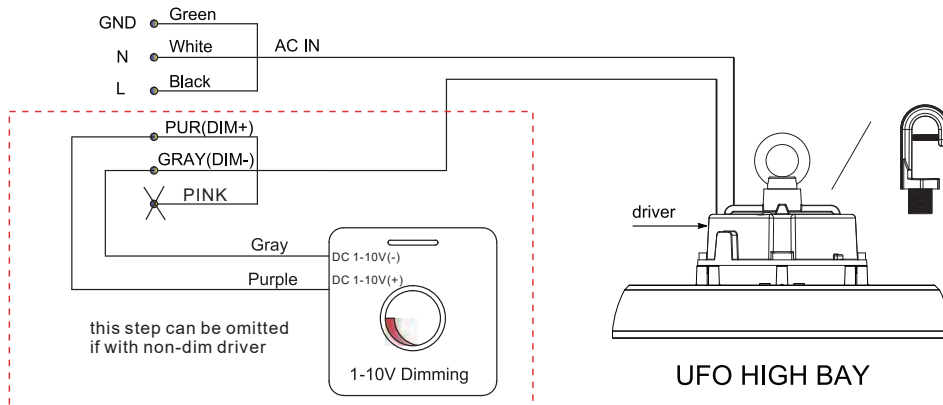
### EXAMPLE: HYA-UFO3-150W-85-H-3W3CCT

Company Code	Product	Product	Light Angle	CCT
HYA	UFO3 Series: UFO High Bay	150W: 100-125-150W Selectable 240W: 150-200-240W Selectable	85°	CCT: 3000K-4000K-5000K

## PRODUCT DIMENSION

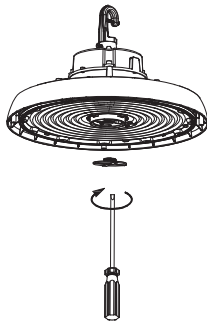


## WIRING GUIDE

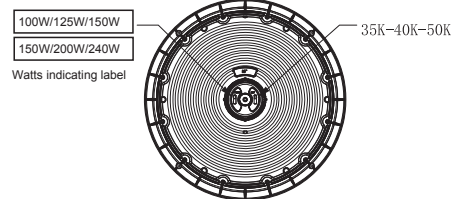


## Watt and CCT Selectable

1. Take off the waterproof rubber cover from the wattage-box.



2. Select the wattage by using the slide switch.



3. Put back the waterproof rubber cover.

