



2024



www.honyalighting.com

HONYA Lighting CATALOGUE



Address:
Long Island Location (Main Office)
HONYA Lighting
31 Commercial St,
Plainview, NY 11803, USA

Tel: (+1)516-832-1016 Fax: (+1)516-832-1018
Email: info@honyalighting.com
Http: www.honyalighting.com

Specifications are subject to change without prior notice.



HONYA Lighting



ABOUT HONYA LIGHTING

HONYA Lighting is a professional wholesaler and manufacturer specializing in residential, commercial and industrial lighting. Situated in Long Island, New York, with a convenient 30,000 square foot inventory, HONYA Lighting serves as a dedicated LED lighting sales and distribution center, catering to the NY Metropolitan, Tri-State Area, and the North American Market.

MISSION: We are committed to delivering sustainable, environmentally progressive lighting solutions and fostering long-term relationships through professionally and originally designed products.

WHY CHOOSE US: We guarantee the best quality at the most competitive prices.

QUALITY: We emphasize the importance of high-quality products to establish solid customer relationships. All our products are accredited by TUV-CE, RoHS, UL, DLC, ENERGY STAR, etc. Our stringent control measures cover every manufacturing process, from raw materials to finished goods, ensuring constant evolution in our products with advancing technology.

SERVICE: HONYA Lighting is dedicated to achieving the highest levels of customer satisfaction, emphasizing the strength of our relationships. Our experienced, knowledgeable team focuses on providing affordable, customized lighting solutions, ensuring the utmost reliability, maintainability, and functionality of every product we produce.



PRODUCTS

LED Linear Series	01-08
LED Waterproof Linear Series	09-12
LED Panel and Troffer Series	13-18
LED Recessed Downlight Series	19-22
LED Ceiling Light Series	23-30
LED Pendant Light Series	31-32
LED Vanity Light Series	33-34
LED Indoor Wall Sconce Series	35-36
LED Linear High Bay Series	37-38
LED UFO High Bay Series	39-40
LED Gas Station Canopy Series	41-42
LED Outdoor Light Series	43-54
LED Sports Light Series	55-56
LED Tube Series	57-60
LED Exit Sign Series	61-62
Accessories	63

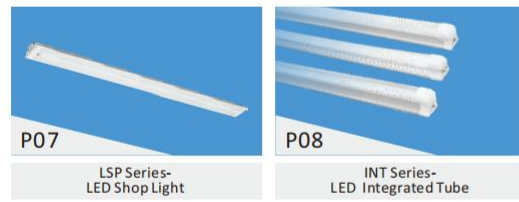


TABLE OF CONTENTS

LED Linear Series



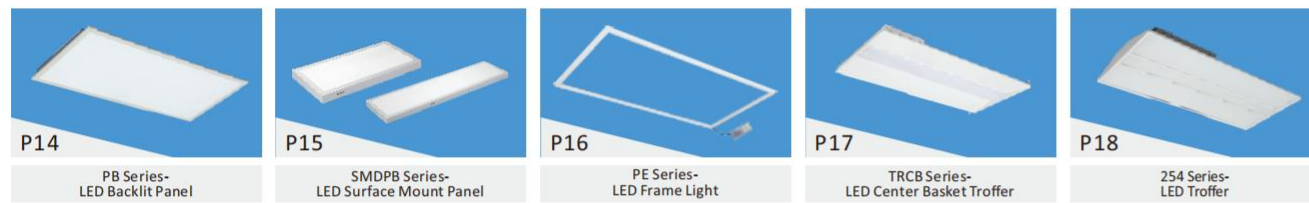
LED Linear Series



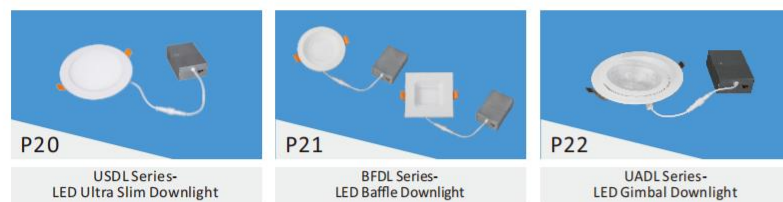
LED Waterproof Linear Series



LED Panel and Troffer Series



LED Recessed Downlight Series



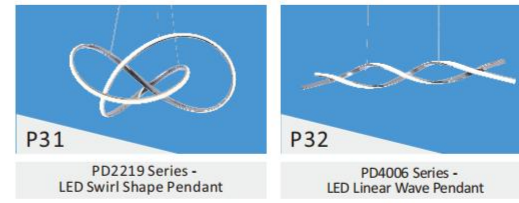
LED Ceiling Light Series



LED Ceiling Light Series



LED Pendant Light Series



LED Vanity Light Series



LED Indoor Wall Sconce Series



LED Linear High Bay Series



LED UFO High Bay Series



LED Gas Station Canopy Series



LED Outdoor Light Series



LED Outdoor Light Series



LED Outdoor Light Series



LED Sports Light Series

LED Tube Series



LED Exit Sign Series



Accessories



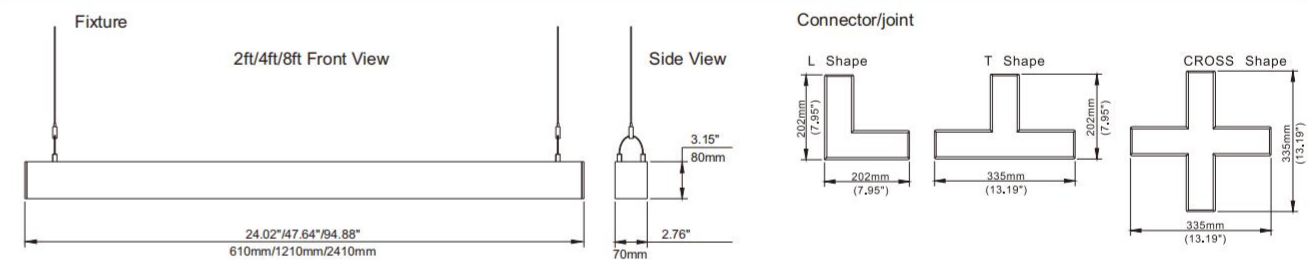


LED LINEAR SERIES

LUD Series - LED Suspended Up and Down Light



Dimensions



Accessories



Application

Retails / Schools / Offices / Conference room and more residential and commercial applications

Feature

- 0-10V dimmable and 6.5FT 5 wire power feed cable included to achieve more energy saving
- 6.5' adjustable hanging cables included
- Body: white or black finish
- Aluminum heat sink for efficient heat dissipation
- Linkable: With wire harness connection kit included for connecting power between fixtures
- CCT adjustable to fit for different locations

Option



Emergency Backup Driver

Specification

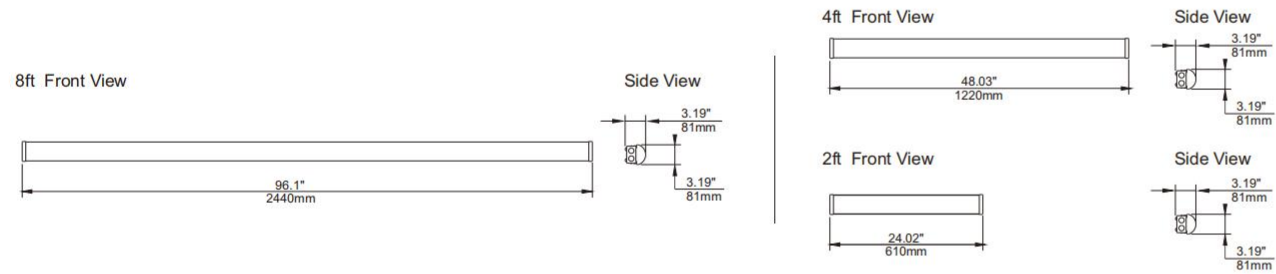
Input Voltage	AC120-277V
CRI	> 80
Power Factor	> 0.9
Beam Angle	100°
THD	< 20%
Dimming	0-10V dimmable
Operating Temperature	-4°F~+104°F/-20°C~+40°C
Lifespan	Lumen maintenance over 70% @50,000+ Hours

Model	Size	Wattage	CCT	Lumen	Finish	Qty/Pack
HY-2FT-LUD-25W-30K/40K/50K	2ft	25W	3000/4000/5000K Selectable	3250 lm	WH White BK Black	4PCS
HY-4FT-LUD-50W-30K/40K/50K	4ft	50W		6500 lm		4PCS
HY-8FT-LUD-100W-30K/40K/50K	8ft	100W		13000 lm		4PCS
Connector/joint						
HY-LUD-ACC-L-12W-CCT	L Shape	12W	3000/4000/5000K Selectable	1560 lm	WH White BK Black	12PCS
HY-LUD-ACC-T-12W-CCT	T Shape	12W		1560 lm		6PCS
HY-LUD-ACC-C-15W-CCT	CROSS Shape	15W		1950 lm		6PCS

LS100 Series - LED Linear Strip



Dimensions



Accessories



Alignment Bracket



Specification

Input Voltage	AC120-277V
CRI	> 80
Power Factor	> 0.9
Beam Angle	120°
THD	< 20%
Dimming	0-10V dimmable
Operating Temperature	-4°F~+104°F/-20°C~+40°C
Lifespan	Lumen maintenance over 70% @50,000+ Hours

Application

Hospitals / Hallways / Stairwells / Basements / Workshops / Laundry rooms / Garages and more commercial or industrial applications

Feature

- Aluminum heat sink for efficient heat dissipation
- Linkable: Includes wire harness connection kit for easily linking power between fixtures
- Low-profile design with PMMA lens gives even no glare light distribution
- Adjustable WATT and CCT settings to accommodate various locations
- Dimming and additional motion control options are available to enhance energy savings

Option



Emergency Backup Driver

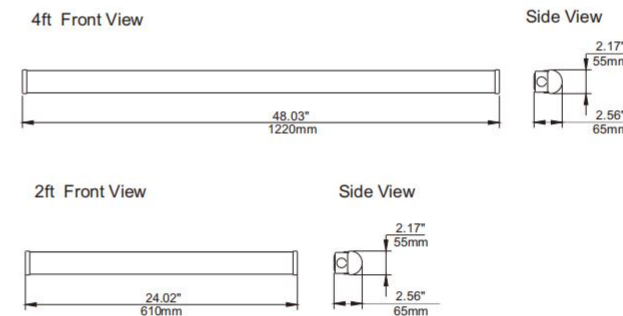
Motion Sensor

Model	Size	Wattage	CCT	Lumen	Qty/Pack
HY-2FT-LS100-20W-3CCT	2ft	20W	3000/4000/5000K Selectable	2600 lm	4PCS
HY-4FT-LS100-3W3CCT	4ft	20/30/40W Selectable		2600/3900/5200 lm	4PCS
HY-8FT-LS100-3W3CCT	8ft	40/50/60W Selectable		5200/6500/7800 lm	4PCS
HY-8FT-LS100-H-3W3CCT	8ft	40/60/80W Selectable		5200/7800/10400 lm	4PCS

LS50 Series - LED Slim Linear Strip



Dimensions



Specification

Input Voltage	AC120-277V
CRI	> 80
Power Factor	> 0.9
Beam Angle	120°
THD	< 20%
Dimming	0-10V Dimmable
Operating Temperature	-4°F~+104°F/-20°C~+40°C
Lifespan	Maintains at least 70% light output for up to 50,000 hours

Model	Size	Wattage	CCT	Lumen	Qty/Pack
HY-2FT-LS50-18W-30K/40K/50K	2ft	18W	3000/4000/5000K Selectable	2340 lm	12PCS
HY-4FT-LS50-36W-30K/40K/50K	4ft	36W		4680 lm	12PCS

Application

Commercial / Retail / School / Institution government agency / Grocery store...

Feature

- Linkable: Includes a wire harness connection kit for seamless power connection between fixtures
- Adjustable wattage and color temperature cater to diverse locations
- Dimming and optional motion control choices are available to achieve increased energy savings

Option



Emergency Backup Driver

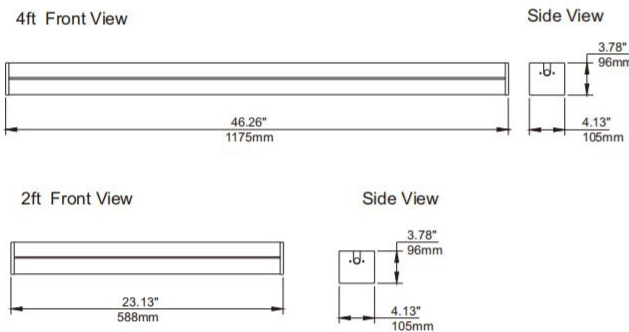


Motion Sensor

LW139 Series - LED Stairwell Fixture



Dimensions



Application

Stairwells / Commercial / Industrial / Warehouse / Retails / Residential Garage / School / Institution...

Feature

- Designed for damp locations
- Featuring a robust steel housing and equipped with a heat-resistant prismatic lens
- Narrow width ideal for compact spaces such as stairways
- Choose between chain or surface mount installation
- Options include availability with an emergency backup kit or motion sensor

Option



Specification

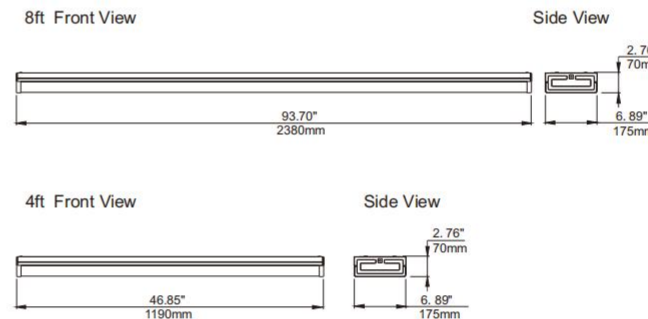
Input Voltage	AC120-277V
CRI	> 80
Power Factor	> 0.9
Beam Angle	120°
THD	< 20%
Dimming	0-10V Dimmable
Operating Temperature	-4°F~+104°F/-20°C~+40°C
Lifespan	Maintains at least 70% light output for up to 50,000 hours

Model	Size	Wattage	CCT	Lumen	Qty/Pack
HY-2FT-LW139-18W-XXK	2ft	18W	3000/4000/5000K Selectable	2340 lm	6PCS
HY-4FT-LW139-32W-3CCT	4ft	32W		4160 lm	6PCS

LW102 Series - LED Wraparound



Dimensions



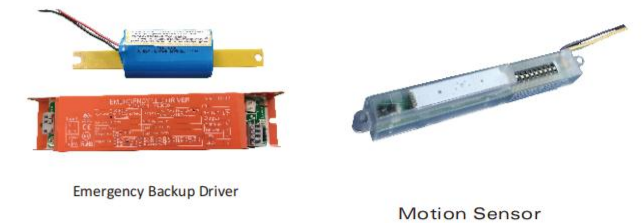
Application

Commercial / Industrial / Warehouse/ Retails / Residential garage / School / Institution / Supermarket...

Feature

- High energy efficiency: 40W replaces 2x32W T8
- Designed for damp locations
- Sturdy steel housing equipped with a heat-resistant prismatic lens
- Acrylic lens available in 4' and 8' lengths
- Choose between chain or surface mount installation
- Options include availability with an emergency backup kit or motion sensor

Option

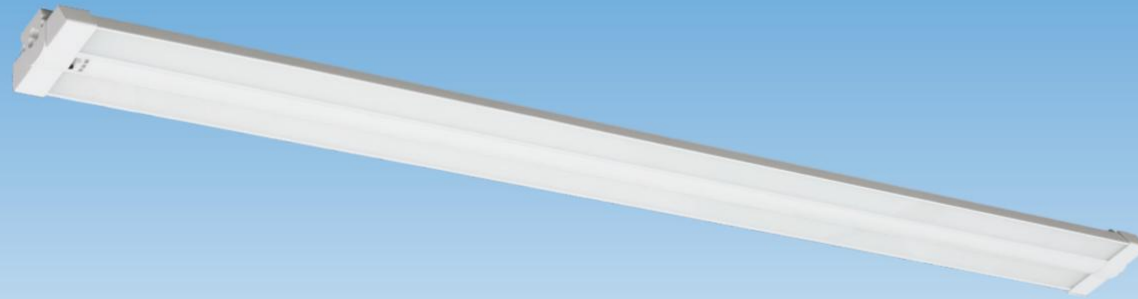


Specification

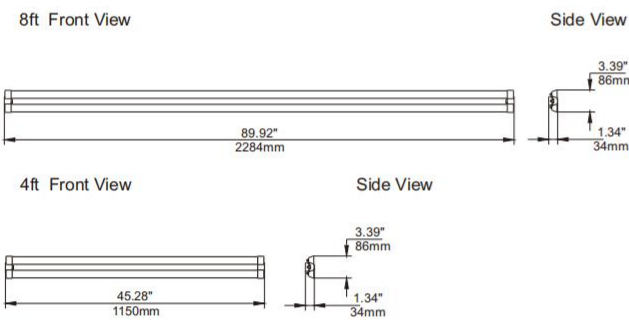
Input Voltage	AC120-277V
CRI	> 80
Power Factor	> 0.9
Beam Angle	120°
THD	< 20%
Dimming	0-10V Dimmable
Operating Temperature	-4°F~+104°F/-20°C~+40°C
Lifespan	Maintains at least 70% light output for up to 50,000 hours

Model	Size	Wattage	CCT	Lumen	Qty/Pack
HY-4FT-LW102-40W-3CCT	4ft	40W	3000/4000/5000K Selectable	5200 lm	5PCS
HY-8FT-LW102-80W-3CCT	8ft	80W		10400 lm	3PCS

LSP Series - LED Shop Light



Dimensions



Accessories



Application

Residential Garage / Basement / Supermarket / Warehouse / Office / Factory / Commercial and industrial space

Feature

- Designed for damp locations
- Low maintenance requirements
- Easily adjustable CCT tunable dip switch located at the front of the fixture

Specification

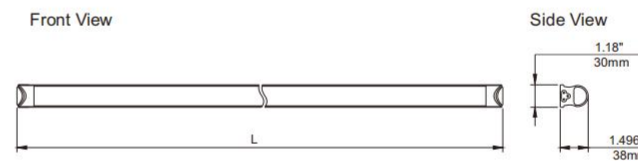
Input Voltage	AC120-277V
CRI	> 80
Power Factor	> 0.9
Beam Angle	110°
THD	< 20%
Dimming	0-10V Dimmable
Operating Temperature	-4°F~+104°F/-20°C~+40°C
Lifespan	Maintains at least 70% light output for up to 50,000 hours

Model	Size	Wattage	CCT	Lumen	Qty/Pack
HY-4FT-LSP-30W-XXX	4ft	30W	3000/4000/5000K Selectable	3900lm	10PCS
HY-8FT-LSP-60W-XXX	8ft	60W		7800lm	10PCS

INT Series - LED Integrated Tube



Dimensions



Accessories



Application

Commercial / Industrial / Warehouse / Retails / Residential garage / School / Institution supermarket...

Feature

- LED Strip available in V-Shape and flat shape
- Flexible Length for every application: Available in 2FT,3FT,4FT, 5FT, 6FT and 8FT
- Available in clear, frosted and strip PC cover
- Aluminum housing and high purity aluminum materials with anodic oxidation process
- High energy efficiency: Save more than 60% energy versus T8 fluorescent lamps
- Direct connection for easy and quick installation

Specification

Input Voltage	AC120-277V
CRI	> 80
Power Factor	> 0.9
Beam Angle	110°/270°
THD	< 20%
LED Chip	2835
Operating Temperature	-4°F~+104°F/-20°C~+40°C
Lifespan	Maintains at least 70% light output for up to 50,000 hours

Model	Size	Wattage	CCT	Lumen	Cover	Qty/Pack
Flat Shape -Regular Double LED Strip						
HY-T8INT-2FT-10W-65K(T)	2ft	10W	6500K	1300 lm	Clear	20PCS
HY-T8INT-2FT-10W-50K(F)	2ft	10W	5000K	1300 lm	Frosted	20PCS
HY-T8INT-3FT-18W-50K(F)	3ft	18W	5000K	2340lm	Frosted	20PCS
HY-T8INT-3FT-18W-65K(T)	3ft	18W	6500K	2340 lm	Clear	20PCS
HY-T8INT-4FT-24W-65K(T)	4ft	24W	6500K	3120 lm	Clear	20PCS
HY-T8INT-4FT-24W-50K(F)	4ft	24W	5000K	3120 lm	Frosted	20PCS
HY-T8INT-4FT-24W-50K(T)	4ft	24W	5000K	3120lm	Clear	20PCS
HY-T8INT-5FT-36W-50K(F)	5ft	36W	5000K	4680 lm	Frosted	20PCS
HY-T8INT-5FT-36W-65K(T)	5ft	36W	6500K	4680 lm	Clear	20PCS
HY-T8INT-6FT-48W-50K(F)	6ft	48W	5000K	6240 lm	Frosted	20PCS
HY-T8INT-6FT-48W-65K(T)	6ft	48W	6500K	6240 lm	Clear	20PCS
HY-T8INT-8FT-60W-50K(F)	8ft	60W	5000K	7800 lm	Frosted	20PCS
HY-T8INT-8FT-60W-65K(T)	8ft	60W	6500K	7800lm	Clear	20PCS
V-Shape-270° Lighting Angle						
HY-T8INT-4FT-36W-65K(V)	4ft	36W	6500K	4680lm	Clear	20PCS
HY-T8INT-8FT-60W-65K(V)	8ft	60W	6500K	7800lm	Clear	20PCS

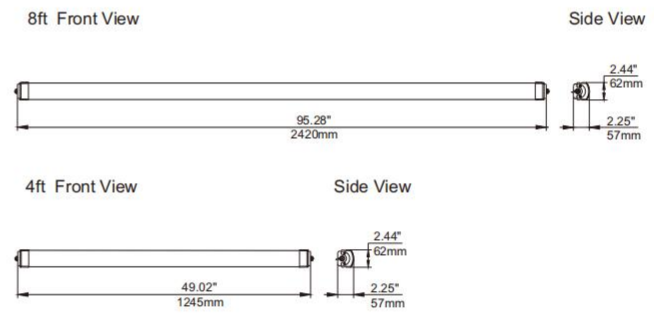


LED WATERPROOF LINEAR SERIES

LV401 Series - LED Tri - Proof Light



Dimensions



Accessories



Specification

Input Voltage	AC120-277V
CRI	> 80
Power Factor	> 0.9
Beam Angle	110°
THD	< 20%
Dimming	0-10V Dimmable
Operating Temperature	-4°F~+104°F/-20°C~+40°C
Lifespan	Maintains at least 70% light output for up to 50,000 hours

Application

Parking garages / Docks / Subway station canopy / Walk-in refrigerators / Awning outdoor application...

Feature

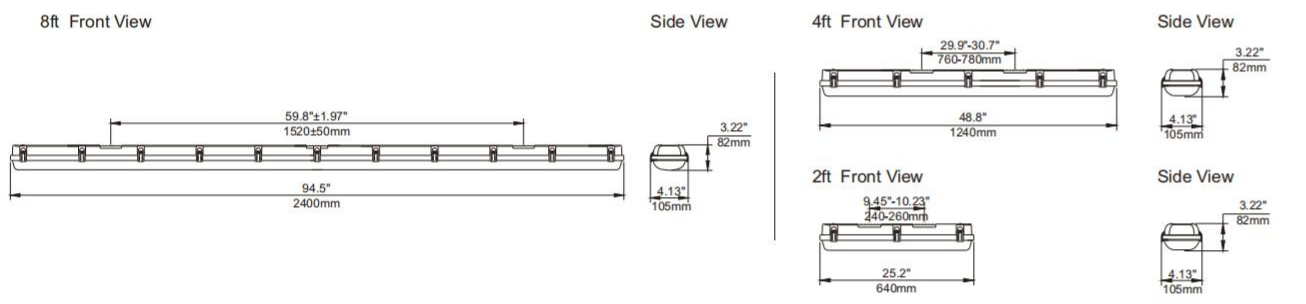
- IP65-rated for watertight and dust-tight protection
- Suitable for wet locations
- Available in 4FT and 8FT
- Features an aluminum housing for effective thermal management and a polycarbonate lens
- Fixtures can be linked for a seamless connection

Model	Size	Wattage	CCT	Lumen	Qty/Pack
HY-4FT-LV401-32W-CCT	4ft	32W	4000/5000K	4160lm	10PCS
HY-8FT-LV401-64W-CCT	8ft	64W		8320lm	6PCS

VT Series - LED Vapor Tight



Dimensions



Specification

Input Voltage	AC120-277V/120-347V
CRI	> 80
Power Factor	> 0.9
Beam Angle	120°
THD	< 20%
Dimming	0-10V Dimmable
Operating Temperature	-4°F~+104°F/-20°C~+40°C
Lifespan	Maintains at least 70% light output for up to 50,000 hours

Application

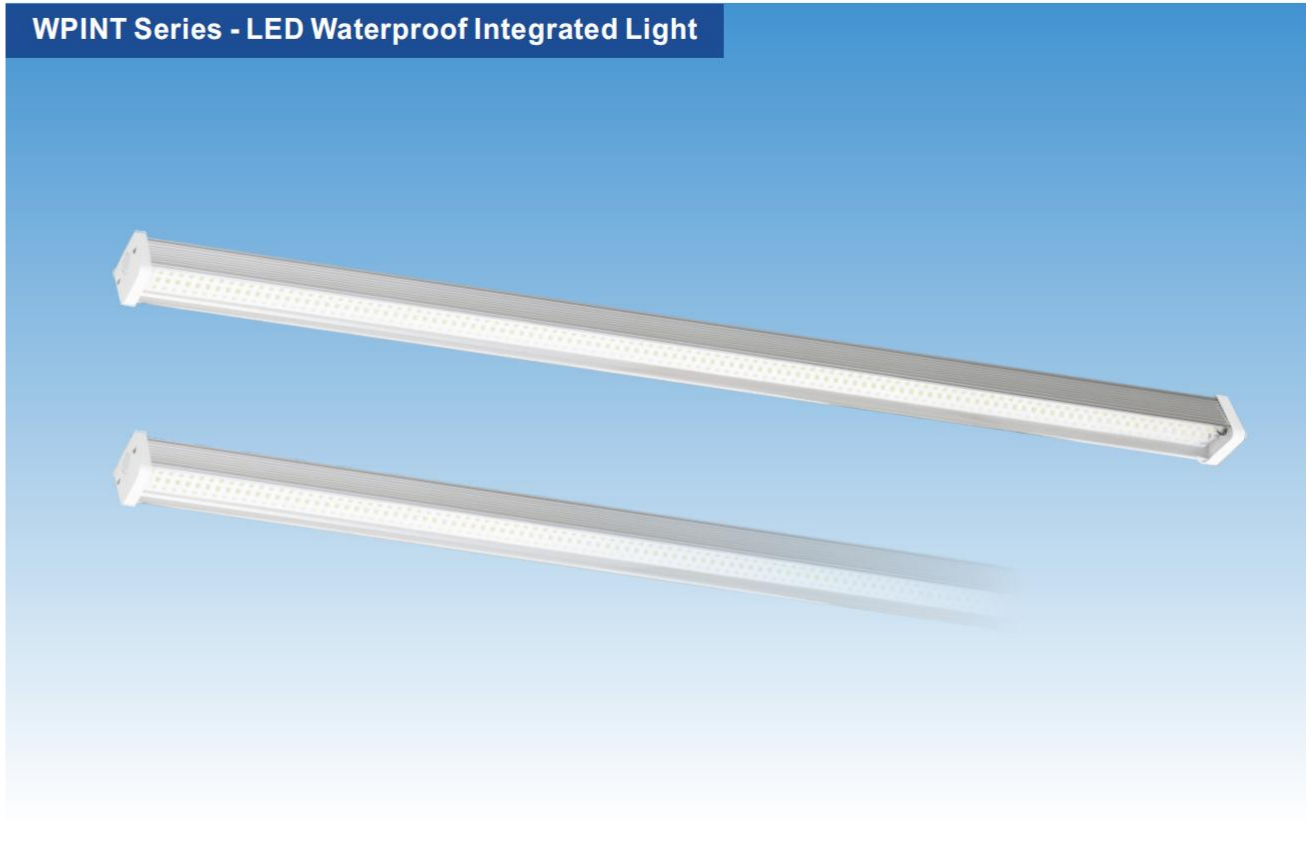
Parking garages / Docks / Subway Station / Canopy / Walk-in Refrigerators / Awning / Outdoor application...

Feature

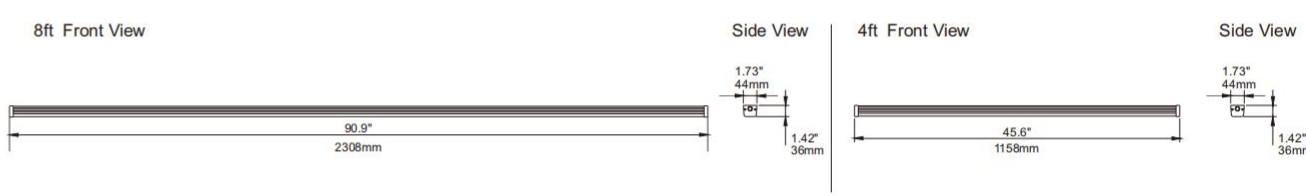
- IP66-rated for watertight and dust-tight protection
- Available in 2FT, 4FT, and 8FT
- PCB with a 4KV withstand voltage rating, and polycarbonate housing with a 5VA-rated fire resistance rating
- Features a full-length, gasketed polycarbonate lens and a single-piece non-corrosive polycarbonate body
- Options include availability with an emergency backup kit or motion sensor
- Backed by a 5-year limited warranty

Model	Size	Wattage	CCT	Lumen	Qty/Pack
HY-2FT-VT-H-3W3CCT(XX)	2ft	20W	3000/4000/5000K Selectable	2600 lm	6PCS
HY-4FT-VT-H-3W3CCT(XX)	4ft	20/30/40W Selectable		2600/3900/5200 lm	6PCS
HY-8FT-VT-H-3W3CCT(XX)	8ft	40/60/80W Selectable		5200/7800/10400 lm	4PCS

WPINT Series - LED Waterproof Integrated Light



Dimensions



Specification

Input Voltage	AC120-277V
CRI	> 80
Power Factor	> 0.9
Beam Angle	110°
THD	< 20%
Operating Temperature	-4°F~+104°F/-20°C~+40°C
Lifespan	Maintains at least 70% light output for up to 50,000 hours

Application

Parking garages / Docks / Subway station canopy / Walk-in refrigerators / Awning outdoor application...

Feature

- Body: Durable 6063 extruded aluminum for efficient heat dissipation
- Diffusers are extruded from impact-modified polycarbonate for increased durability
- IP65-rated for watertight and dust-tight protection
- High efficiency: 130 lm/w, ETL premium listed
- 5-year limited warranty

Model	Size	Wattage	CCT	Lumen	Cover	Qty/Pack
HY-WPINT-4FT-36W-XXK	4ft	36W	6500K	4680 lm	Clear/Frosted	20PCS
HY-WPINT-8FT-72W-XXK	8ft	72W		9360 lm	Clear/Frosted	20PCS

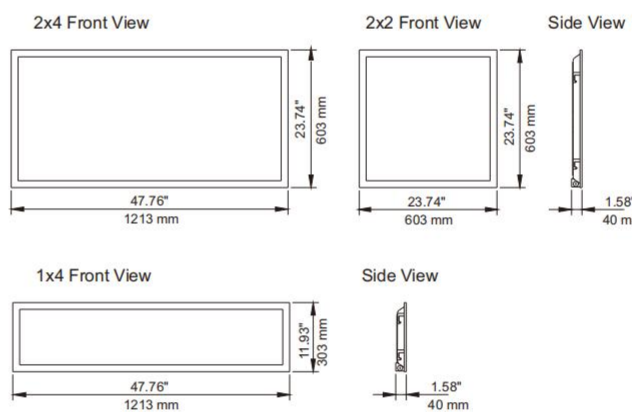


LED PANEL AND TROFFER SERIES

PB Series - LED Backlit Panel



Dimensions



Application

Schools / Hospitals / Office / Retails commercial...

Feature

- WATT and CCT Selectable to accommodate different environmental needs
- Precision-formed diffuser reduces glare and produces uniform illumination
- Low-profile design allows for easy handling and installation in both retrofit and new construction
- Dimming option available for achieving more energy savings

Specification

Input Voltage	AC120-277V
CRI	> 80
Power Factor	> 0.9
Beam Angle	110°
THD	< 20%
Dimming	0-10V Dimmable
Operating Temperature	-4°F~+104°F/-20°C~+40°C
Lifespan	Maintains at least 70% light output for up to 50,000 hours

Option

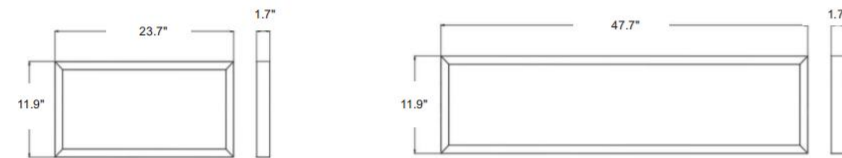


Model	Size	Wattage	CCT	Lumen	Qty/Pack
HY-PB-2x2P-3W3CCT	2'x2'	20/30/40W Selectable	3000/4000/5000K Selectable or 4000/5000/6500K Selectable	2600/3900/5200 lm	2PCS
HY-PB-1x4P-3W3CCT	1'x4'	20/30/40W Selectable	3000/4000/5000K Selectable	2600/3900/5200 lm	2PCS
HY-PB-2x4P-3W3CCT	2'x4'	30/40/50W Selectable	3000/4000/5000K Selectable	3900/5200/6500 lm	2PCS
HY-PB-2x4PH-3W3CCT	2'x4'	40/50/60W Selectable	4000/5000/6500K Selectable	5200/6500/7800lm	2PCS

SMDPB Series - LED Surface Mount Panel



Dimensions



Specification

Input Voltage	120vac, 60Hz
CRI	> 80
Power Factor	> 0.7
Beam Angle	120°
Operating Temperature	-13°F~+113°F/-25°C~+45°C
Lifespan	Lumen Maintenance over 70% @ 50,000 hours

Application

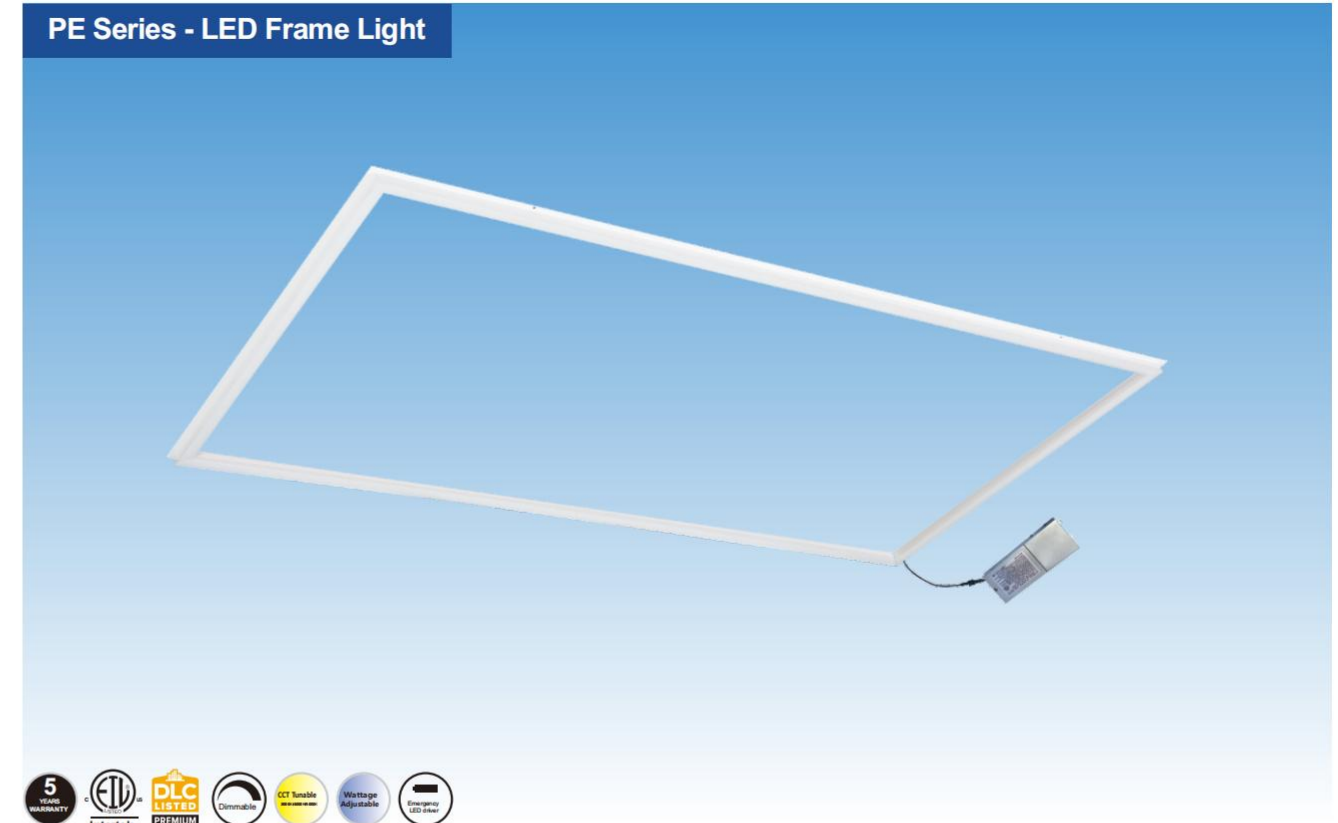
Offices / Schools / Showrooms / Airports / Retail stores / Healthcare facilities...

Feature

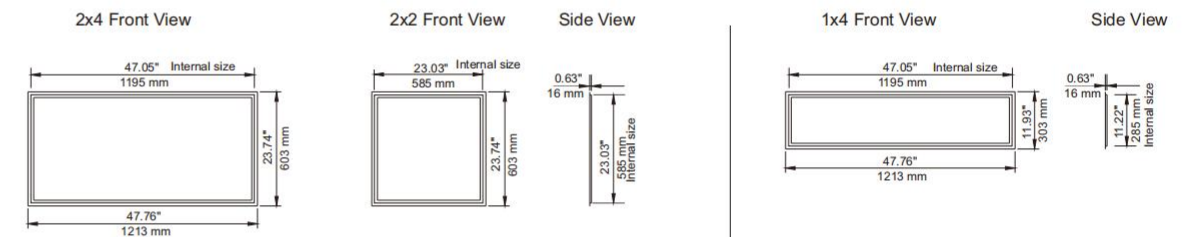
- 360° light emitting, uniform and comfortable diffused light
- 50,000 hours life design for driver and LED
- 5 years warranty

Model	Size	Wattage	CCT	Input Voltage	Efficiency	Qty/Pack
HY-SMDPB-30W2FT-3CCT	1' X 2'	30W	3000/4000/5000K Selectable	120V	100 LM/W	2PCS
HY-SMDPB-40W4FT-3CCT	1' X 4'	40W		120V	100 LM/W	2PCS

PE Series - LED Frame Light



Dimensions



Specification

Input Voltage	AC120-277V
CRI	> 80
Power Factor	> 0.9
Beam Angle	120°
THD	< 20%
Dimming	0-10V Dimmable
Operating Temperature	-4°F~+104°F/-20°C~+40°C
Lifespan	Maintains at least 70% light output for up to 50,000 hours

Application

Office / School / Conference room / Hospital and more commercial spaces

Feature

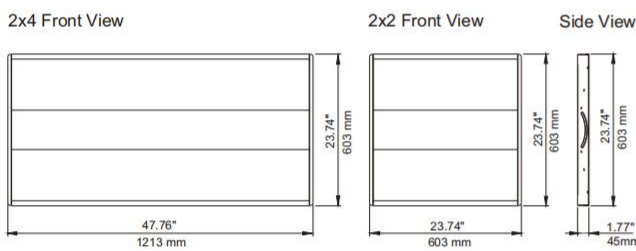
- WATT and CCT Selectable to meet diverse environmental needs
- Modern frame shape offers additional design options
- Low-profile design facilitates easy handling and installation for both retrofit and new construction
- Dimming option available for enhanced energy savings

Model	Size	Wattage	CCT	Lumen	Qty/Pack
HY-PE-1X4P-3W3CCT	1'X4'	20/30/40W Selectable	3000/4000/5000K Selectable	2600/3900/5200 lm	2PCS
HY-PE-2X2P-3W3CCT	2'X2'	20/30/40W Selectable		2600/3900/5200 lm	2PCS
HY-PE-2X4P-3W3CCT	2'X4'	30/40/50W Selectable		3900/5200/6500 lm	2PCS

TRCB Series - LED Center Basket Troffer



Dimensions



Specification

Input Voltage	AC120-277V
CRI	> 80
Power Factor	> 0.9
Beam Angle	110°
THD	< 20%
Dimming	0-10V Dimmable
Operating Temperature	-4°F~+104°F/-20°C~+40°C
Lifespan	Maintains at least 70% light output for up to 50,000 hours

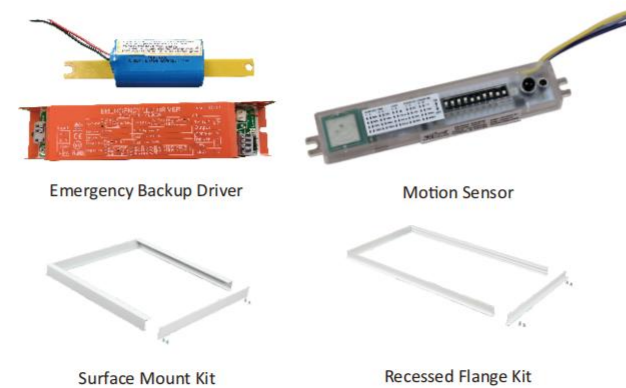
Application

Schools / Hospitals / Office / Retail / Commercial...

Feature

- Watt and CCT Selectable to fit different environmental needs
- Precision-formed diffuser reduces glare and produces uniform illumination
- Low profile design allows for easy handling and installation for both retrofit and new construction
- Dimming and add-on motion control options available to achieve more energy saving

Option

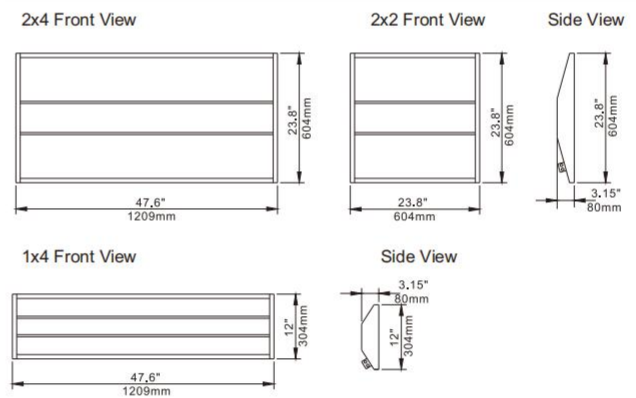


Model	Size	Wattage	CCT	Lumen	Qty/Pack
HY-TRCB-XXW2x2P-XXK	2'X2'	25/35W Selectable	3000/4000/5000K Selectable	3250/4550 lm	2PCS
HY-TRCB-XXW2x4P-XXK	2'X4'	33/40/50W Selectable		4290/5200/6500 lm	2PCS

254 Series - LED Troffer



Dimensions



Specification

Input Voltage	AC120-277V
CRI	> 80
Power Factor	> 0.9
Beam Angle	110°
THD	< 20%
Dimming	0-10V Dimmable
Operating Temperature	-4°F~+104°F/-20°C~+40°C
Lifespan	Maintains at least 70% light output for up to 50,000 hours

Application

Schools / Hospitals / Office / Retail / Commercial...

Feature

- Floated lens of LED illumination with volumetric features for exceptional light distribution
- High lumen efficiency up to 130 LM/W
- Suitable for new construction or retrofit for T-Bar ceiling installations
- Option: Available with emergency backup kit

Option



Emergency Backup Driver

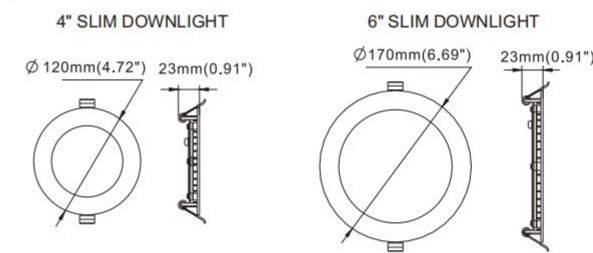
Model	Size	Wattage	CCT	Lumen	Qty/Pack
HY-TR254-35W1X4-XXK-P	1'X4'	35W	3000/4000/5000K Selectable	4550 lm	1PC
HY-TR254-35W2X2-XXK-P	2'X2'	35W		4550 lm	1PC
HY-TR254-45W2X4-XXK-P	2'X4'	45W		5850 lm	1PC



USDL Series - LED Ultra Slim Downlight



Dimensions



Specification

Input Voltage	AC120V
CRI	> 80
Power Factor	> 0.9
Beam Angle	110°
THD	< 20%
Dimming	Triac Dimming
Operating Temperature	-4°F~+104°F/-20°C~+40°C
Lifespan	Maintains at least 70% light output for up to 50,000 hours

Application

Commercial / Residential / Hospitality...

Feature

- Robust aluminum die-cast outer frame with a protective powder coat to prevent rust
- CCT Tunable: 2700 / 3000 / 3500 / 4000 / 5000k, easily adjustable with the switch on the driver
- IC rated driver for convenience, eliminating the necessity for recessed housings
- Edge-lit LED technology employs a light-guided plate for uniform light distribution, enhanced by a polycarbonate lens
- ETL and Energy Star Listed
- Backed by a 5-year warranty

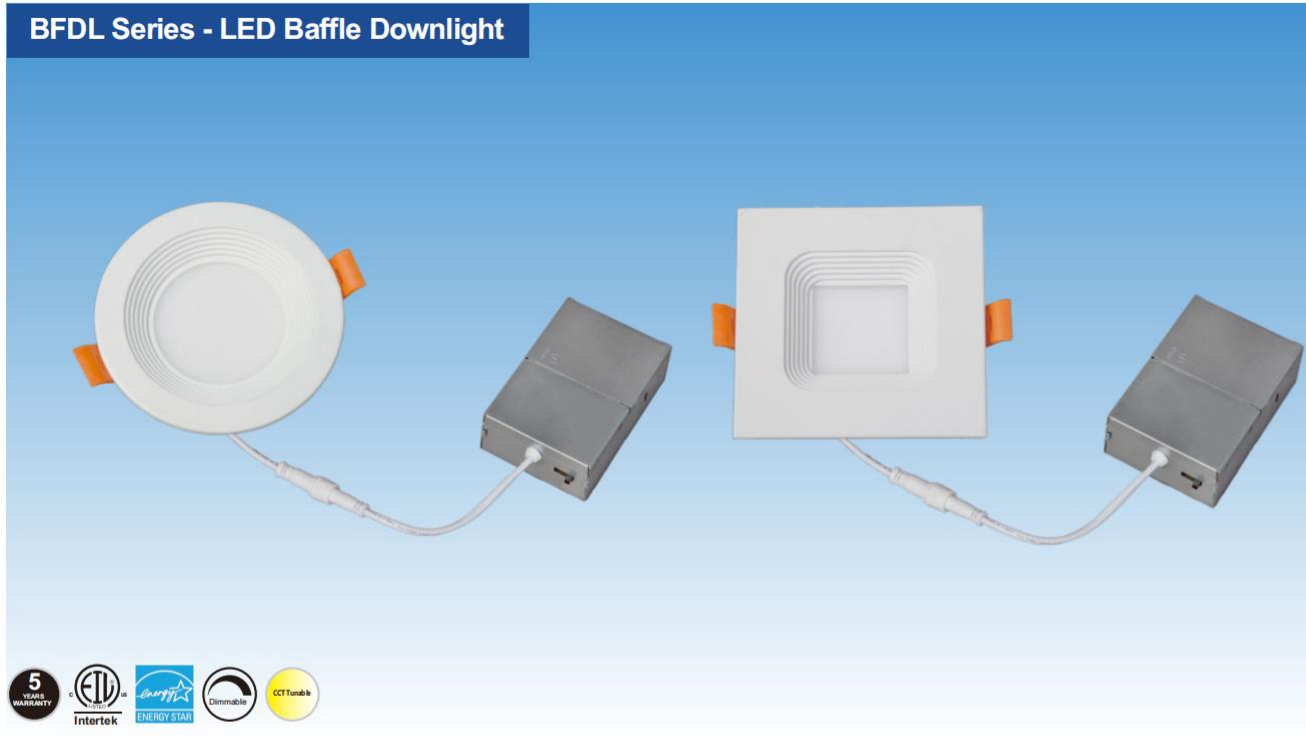
Option



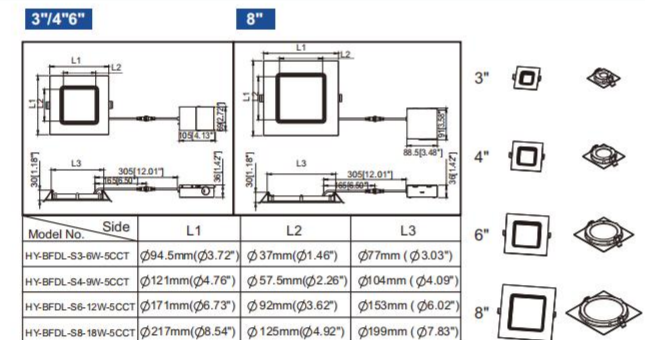
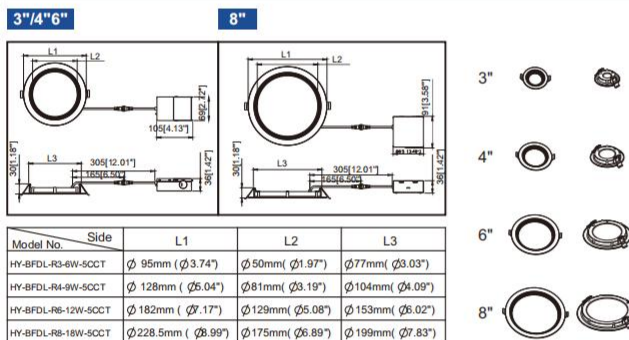
New Construction Plate with Hanger Bar

Model	Size	Wattage	CCT	Lumen	Qty/Pack
HY-USDL-R4-9W-5CCT	4"	9W	2700/3000/3500/ 4000/5000K Selectable	600lm	24PCS
HY-USDL-R6-12W-5CCT	6"	12W		920lm	24PCS

BFDL Series - LED Baffle Downlight



Dimensions



Specification

Input Voltage	AC120V/AC120-277V
CRI	> 90
Power Factor	> 0.9
Beam Angle	110°
THD	< 20%
Can Rating	Type IC
Operating Temperature	-4°F~+104°F/-20°C~+40°C

Feature

- Robust aluminum die-cast outer frame with a durable powder coat to prevent rust
- Type IC rated for insulated ceiling and airtight, eliminating the need for a housing
- Edge-lit LED technology employs a light-guided plate for even light distribution, enhanced by a polycarbonate lens
- CRI>90 and CCT Tunable: 2700 / 3000 / 3500 / 4000 / 5000K, adjustable with the switch on the driver
- Lumen maintenance over 70% for 50,000+ hours

Option



New Construction Plate with Hanger Bar

Application

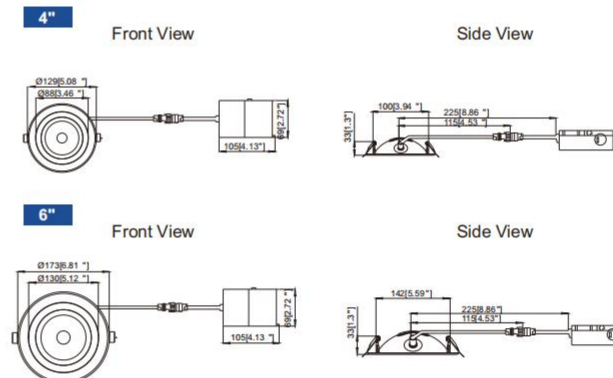
Living room / Bedroom / Office / Lobbies / Conference room and more residential and commercial applications

Model	Size	Shape	Wattage	Lumen	Dimming	Qty/Pack
HY-BFDL-R3-6W-SCCT	3"	Round	6W	440 lm	Triac Dimming	24PCS
HY-BFDL-R4-9W-SCCT	4"		9W	720 lm	Triac Dimming	24PCS
HY-BFDL-R6-12W-SCCT	6"		12W	880 lm	Triac Dimming	24PCS
HY-BFDL-R8-18W-SCCT	8"		18W	1420 lm	0-10V Dimmable	12PCS
HY-BFDL-S3-6W-SCCT	3"	Square	6W	430 lm	Triac Dimming	24PCS
HY-BFDL-S4-9W-SCCT	4"		9W	710 lm	Triac Dimming	24PCS
HY-BFDL-S6-12W-SCCT	6"		12W	950 lm	Triac Dimming	24PCS
HY-BFDL-S8-18W-SCCT	8"		18W	1400 lm	0-10V Dimmable	12PCS

UADL Series - LED Gimbal Downlight



Dimensions



Specification

Input Voltage	AC120V
CRI	> 90
Power Factor	> 0.9
Beam Angle	30°
THD	< 20%
Dimming	Triac Dimming
Operating Temperature	-4°F~+104°F/-20°C~+40°C
Lifespan	Lumen Maintenance over 70% @ 50,000+ hours

Application

Commercial / Residential / Hospitality...

Option



New Construction Plate with Hanger Bar

Feature

- Remote driver to eliminate the need for an extra housing
- Adjustable with a gimbal that pivots 360 degrees on a hinge
- Features a 5-CCT selectable switch allows you to choose between different color temperatures from 2700 / 3000 / 3500 / 4000 / 5000K

Model	Size	Wattage	CCT	Lumen	Qty/Pack
HY-UADL-R4-9W-SCCT	4"	9W	2700/3000/3500/4000/5000K Selectable	720 lm	24PCS
HY-UADL-R6-12W-SCCT	6"	12W		960 lm	12PCS

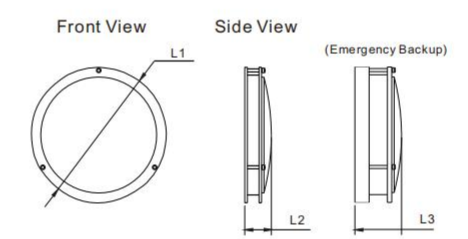


LED CEILING LIGHT SERIES

DR Series - LED Double Ring Flush Mount



Dimensions



Model No.	HY -DR12-16WCCT(5CCT)	HY -DR14-22WCCT(5CCT)	HY -DR16-26WCCT(5CCT)
Side L1	Φ305mm/Φ12"	Φ355mm/Φ14"	Φ405mm/Φ16"
L2	65mm/2.56"	75mm/2.95"	85mm/3.35"
L3	104mm/4.09"	114mm/4.49"	124mm/4.89"

Specification

Input Voltage	AC120V
CRI	> 80
Power Factor	> 0.9
Beam Angle	120°
THD	< 20%
Dimming	Triac Dimming
Operating Temperature	-4°F~+104°F/-20°C~+40°C
Lifespan	Maintains at least 70% light output for up to 50,000 hours

Application

Drawing room / Bedroom / Corridor / Administration office...

Feature

- Tunable Color Temperature options: 2700 / 3000 / 3500 / 4000 / 5000K
- Body: Constructed with stainless steel
- Diffuser: High light transmittance polycarbonate
- Triac dimming capability for the LED fixture
- High luminous efficiency
- 5-year limited warranty

Model	Size	Wattage	CCT	Lumen	Qty/Pack
HY-DR12-16WCCT	12"	16W	2700/3000/3500/ 4000/5000K Selectable	1280 lm	6PCS
HY-DR14-22WCCT	14"	22W		1760 lm	6PCS
HY-DR16-26WCCT	16"	26W		2080 lm	6PCS
HY-DR12-16WCCT (EM)	12"	16W		1280 lm	6PCS
HY-DR14-22WCCT (EM)	14"	22W		1760 lm	6PCS
HY-DR16-26WCCT (EM)	16"	26W		2080 lm	6PCS

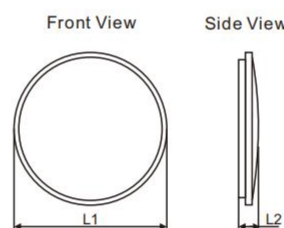


LED CEILING LIGHT SERIES

FM Series - LED Single Ring Flush Mount Ceiling Light



Dimensions



Model No.	HY-FM13-16WCCT-NK HY-FM13-16WCCT-BK HY-FM13-16WCCT-GD	HY-FM15-22WCCT-NK HY-FM15-22WCCT-BK HY-FM15-22WCCT-GD	HY-FM20-26WCCT-NK HY-FM20-26WCCT-BK
Size			
L1	Φ330mm/12.99"	Φ390mm/15.35"	Φ490mm/19.29"
L2	65mm/2.56"	65mm/2.56"	65mm/2.56"

Specification

Input Voltage	AC120V
CRI	> 80
Lens	White acrylic
Beam Angle	120°
Finish	NK: Brushed nickel / BK: Matt black / GD: Brushed gold
Operating Temperature	-4°F~+113°F/-20°C~+45°C
Life Span	Maintains at least 70% light output for up to 50,000 hours

Application

Perfect for ceiling or wall mount applications. These flush mount ceiling lights mount directly to a junction box ideal for residential and commercial applications.

Feature

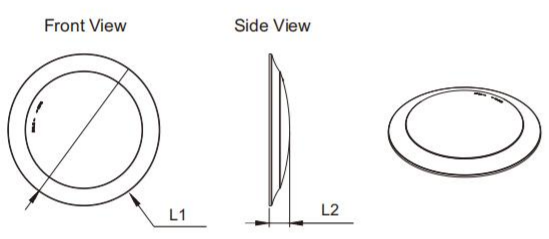
- Classically designed for a sleek appearance
- Boasts low maintenance and energy-saving advantages
- Robust mounting assembly ensures fixture stability
- Equipped with a 5-CCT selectable switch, allowing you to customize the color temperature from 2700/3000/3500/4000/5000K
- Backed by a 5-year limited warranty

Model	Size	Wattage	CCT	Lumen	Qty/Pack
HY-FM13-16WCCT-XX	13"	16W	2700/3000/3500/ 4000/5000K Selectable	1280 lm	6PCS
HY-FM15-22WCCT-XX	15"	22W		1760 lm	6PCS
HY-FM20-26WCCT-XX	20"	26W		2080 lm	6PCS

DSL Series - LED Disk Light



Dimensions



Side	Model No.	HY-DSL-R4-10W-3CCT	HY-DSL-R6-15W-3CCT
L1		Φ150mm/Φ5.9"	Φ185mm/Φ7.28"
L2		25mm/0.98"	25mm/0.98"

Specification	
Input Voltage	AC120V
CRI	> 80
Power Factor	> 0.9
Beam Angle	120°
THD	< 20%
Dimming	Triac Dimming
Operating Temperature	-4°F~+104°F/-20°C~+40°C
Lifespan	Maintains at least 70% light output for up to 50,000 hours

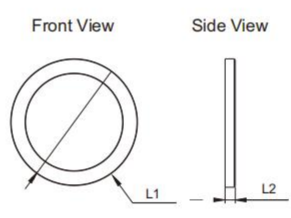
- Application**
Drawing room / Bedroom / Corridor and administration office...
- Feature**
- Tunable Color Temperature: 3000 / 4000 / 5000K
 - Diffusers: High light transmittance polycarbonate
 - Triac dimming capability for the LED fixture
 - High luminous efficiency, delivering good color
 - 5-year limited warranty
 - Integrated flush mount for easy installation into most standard j-boxes

Model	Size	Wattage	CCT	Lumen	Qty/Pack
HY-DSL-R4-10W-3CCT	4"	10W	3000/4000/5000K Selectable	650 lm	30PCS
HY-DSL-R6-15W-3CCT	6"	15W		1000 lm	30PCS

SMD Series - LED Surface Mount Light



Dimensions



Side	Model No.	HY-SMD-R5-10W-3CCT	HY-SMD-R7-15W-3CCT	HY-SMD-R9-18W-3CCT	HY-SMD-R12-24W-3CCT
L1		Φ140mm/Φ5.51"	Φ180mm/Φ7.09"	Φ225mm/Φ8.86"	Φ305mm/Φ12.01"
L2		18mm/0.71"	18mm/0.71"	18mm/0.71"	18mm/0.71"

Specification	
Input Voltage	AC120V
CRI	> 80
Power Factor	> 0.9
Beam Angle	120°
THD	< 20%
Dimming	Triac Dimming
Operating Temperature	-4°F~+104°F/-20°C~+40°C
Lifespan	Maintains at least 70% light output for up to 50,000 hours

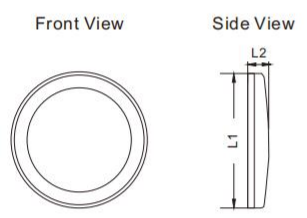
- Application**
Drawing room / Bedroom / Corridor / Administration office / Business premises...
- Feature**
- Body: Constructed with polycarbonate engineering plastic, resistant to aging and discoloration
 - Diffusers: High light transmittance polycarbonate
 - Triac dimming capability for the LED fixture
 - High luminous efficiency
 - 5-year limited warranty
 - Equipped with a secure quick-look mounting bracket, it allows for direct mounting to standard j-boxes

Model	Size	Wattage	CCT	Lumen	Qty/Pack
HY-SMD-R5-9W-3CCT	5"	10W	3000/4000/5000K Selectable	700 lm	30PCS
HY-SMD-R7-12W-3CCT	7"	15W		1040 lm	30PCS
HY-SMD-R9-18W-3CCT	9"	18W		1100 lm	20PCS
HY-SMD-R12-24W-3CCT	12"	24W		1815 lm	10PCS

WPCL Series - LED Waterproof Ceiling Light



Dimensions



Model No.	HY-WPCL8-12W-3CCT	HY-WPCL12-18W-3CCT	HY-WPCL16-24W-3CCT
Side			
L1	Φ200mm/Φ7.87"	Φ300mm/Φ11.81"	Φ400mm/Φ15.75"
L2	51mm/2"	56mm/2.2"	56mm/2.2"

Specification	
Input Voltage	AC120V
CRI	> 80
Power Factor	> 0.9
Beam Angle	120°
THD	< 20%
Dimming	Triac Dimming
Operating Temperature	-4°F~+104°F/-20°C~+40°C
Lifespan	Maintains at least 70% light output for up to 50,000 hours

Application
Drawing room / Bedroom / Corridor and administration office...

Feature

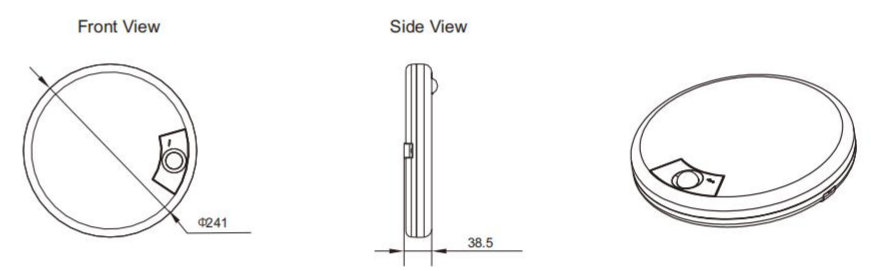
- Material: Constructed with polycarbonate engineering plastic, resistant to aging and discoloration
- Diffusers: High light transmittance polycarbonate, ensuring high luminous efficiency and good color
- Tunable Color Temperature: 3000 / 4000 / 5000K
- IP65-rated, providing water-tight and dust-tight protection
- Triac dimming capability for the LED fixture
- 5-year limited warranty

Model	Size	Wattage	CCT	Lumen	Qty/Pack
HY-WPCL8-12W3CCT	8"	12W	3000/4000/5000K Selectable	960 lm	20PCS
HY-WPCL12-18W3CCT	12"	18W		1440 lm	10PCS
HY-WPCL16-24W3CCT	16"	24W		1920 lm	5PCS

FM Series - LED PIR Motion Sensing Ceiling Light



Dimensions



Specification	
Input Voltage	AC120V
CRI	> 80
Power Factor	> 0.9
Beam Angle	120°
THD	< 20%
Dimming	Triac Dimming
Operating Temperature	-4°F~+104°F/-20°C~+40°C
Lifespan	Maintains at least 70% light output for up to 50,000 hours

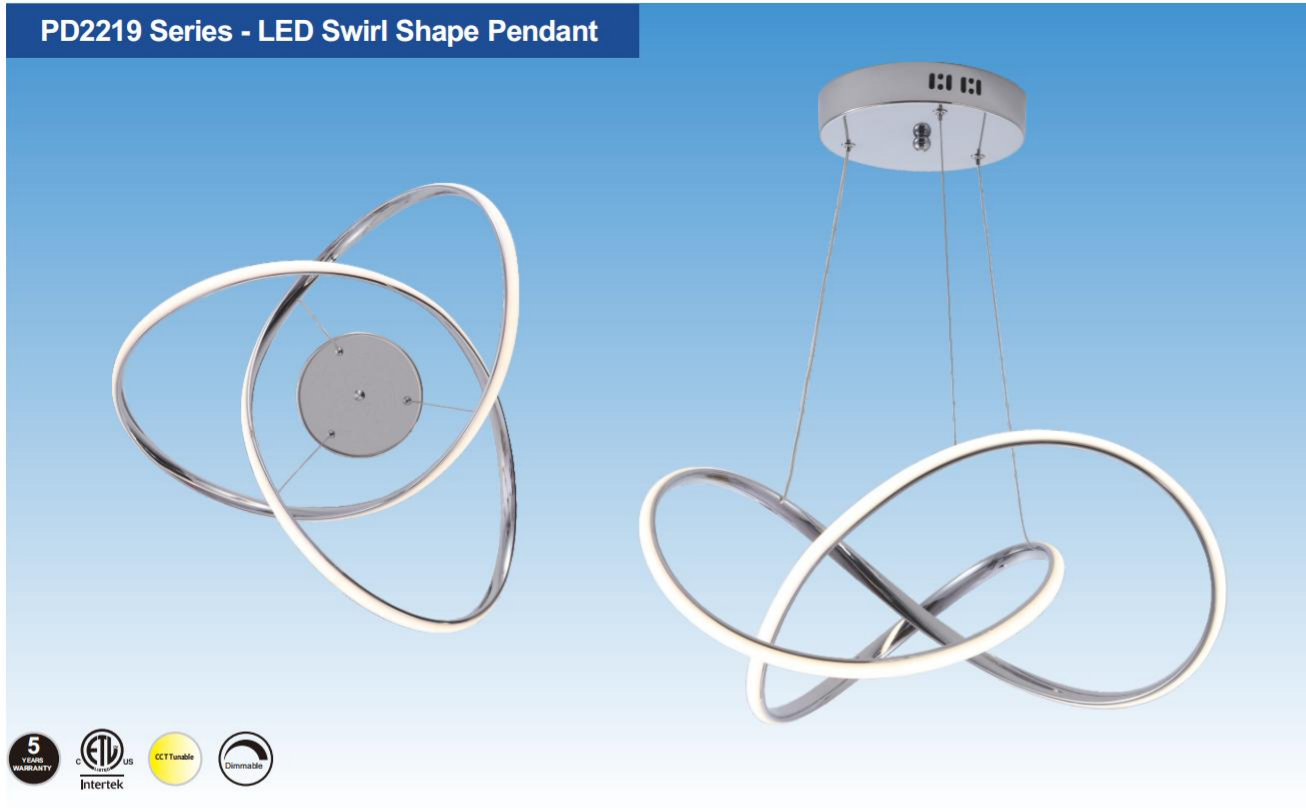
Application
Corridor / Administration office...

Feature

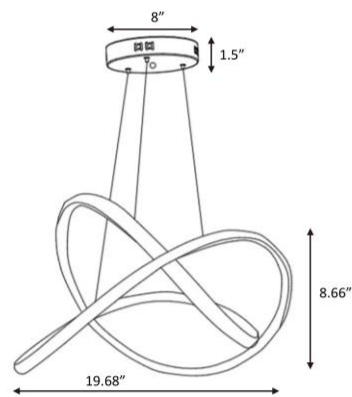
- Super thin design
- Type IC rated
- Diffusers: High light transmittance polycarbonate
- Features infrared sensing function with day and night mode selection switch
- Triac dimming for the LED fixture
- No housing required
- Suitable for damp locations
- 5-year limited warranty

Model	Size	Wattage	CCT	Lumen	Qty/Pack
HY-FM12-20W-MS-XXX	12"	20W	5000K	2600 lm	20PCS

PD2219 Series - LED Swirl Shape Pendant



Dimensions



Application

Perfect dining room / Kitchen island / Stairwell / Residential or commercial pendant lighting...

Specification

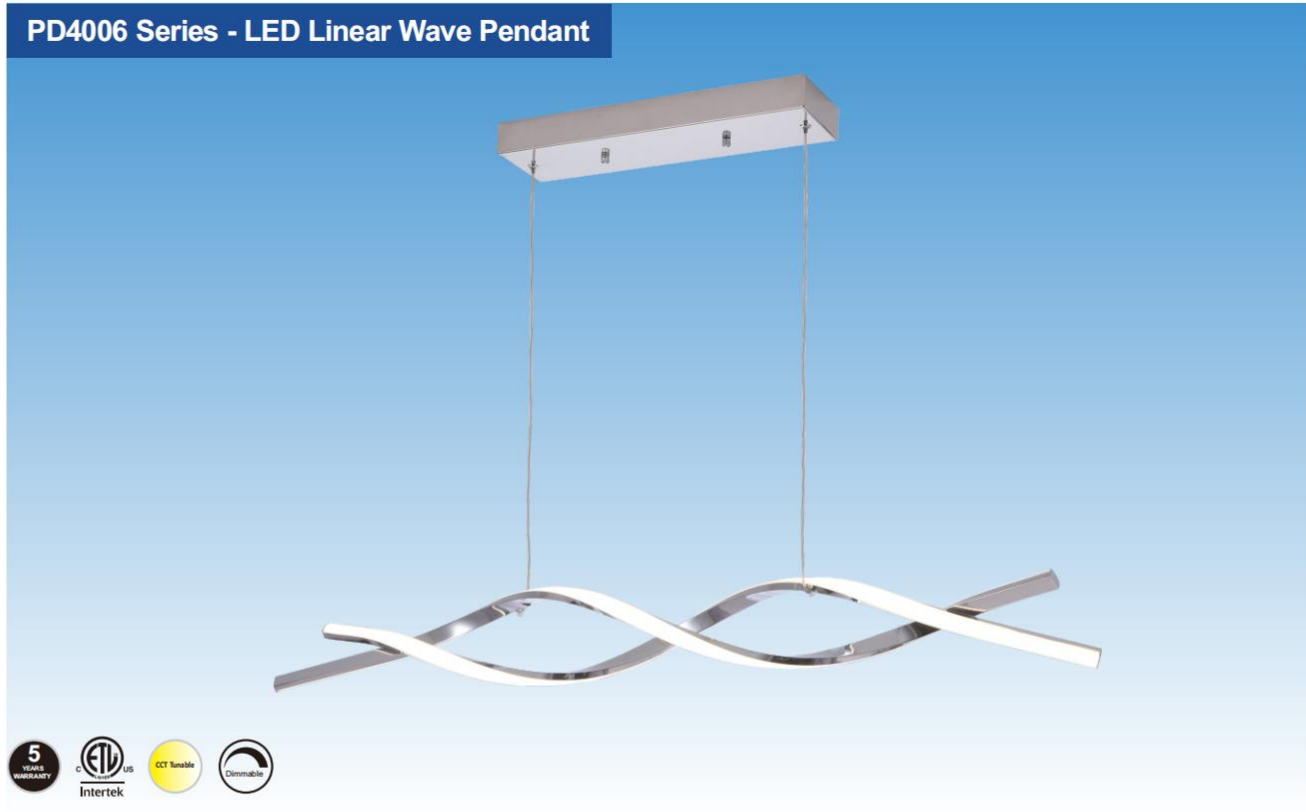
CRI	>80
Operation Temperature	~32°F~+113°F/ ~0°C~+45°C
Pendant Cable Length	Max at 5FT
Dimming	Traic Dimming
Finish	Chrome
Environment Location	Damp Location
Life Span	Lumen Maintenance over 70% @ 50,000+ Hours

Feature

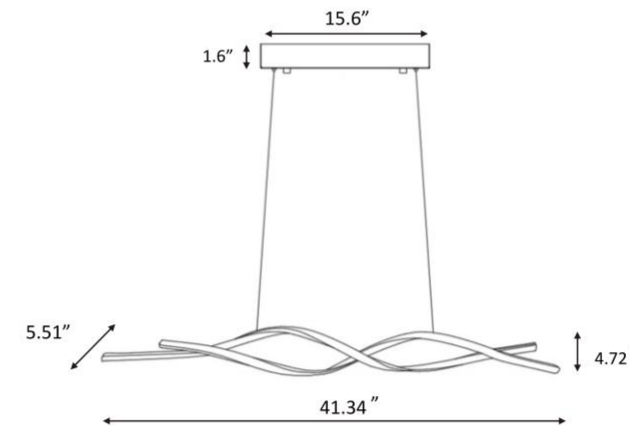
- Frosted extruded diffuser creates even illumination
- CCT Selectable to meet different enviromental needs
- 10%-100% traic dimmable
- Aluminum body with flexible composite diffuser
- 5 year limited warranty
- Damp location listed

Model	Input Voltage	Wattage	CCT	Lumen	Qty/Pack
HY-PD2219-30W-3CCT-CR	120V	30W	3000/4000/5000K Selectable	2600lm	1PC

PD4006 Series - LED Linear Wave Pendant



Dimensions



Application

Perfect dining room / Kitchen island / Stairwell / Residential or commercial pendant lighting...

Specification

CRI	>80
Dimming	Traic dimming
Finish	Chrome
Pendant Cable Length	Max at 5FT
Operating Temperature	~32°F~+113°F/~0°C~+45°C
Environment Location	Damp location
Life Span	Lumen maintenance over 70% @ 50,000+ Hours

Feature

- Frosted extruded diffuser creates even illumination
- CCT selectable to meet different enviromental needs
- 10%-100% traic dimmable
- Aluminum body with flexible composite diffuser
- 5 year limited warranty
- Damp location listed

Model	Input Voltage	Wattage	CCT	Lumen	Qty/Pack
HY-PD4006-35W-3CCT-CR	120V	35W	3000/4000/5000K Selectable	2975 lm	1PC

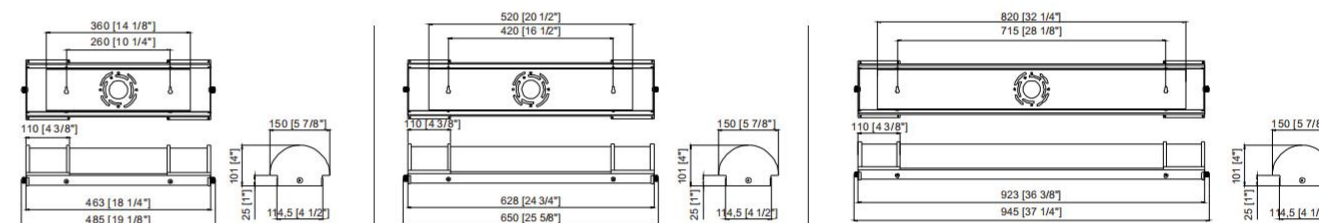


LED VANITY LIGHT SERIES

VL01 Series - LED Vanity Light



Dimensions



Specification

Input Voltage	AC120V
CRI	> 80
Power Factor	> 0.9
Beam Angle	120°
THD	< 20%
Dimming	Triac dimming
Operating Temperature	-4°F~+104°F/-20°C~+40°C
Lifespan	Maintains at least 70% light output for up to 50,000 hours

Application

Perfect for bathroom spaces and can also be used as good replacement of other ceiling or surface mount light

Feature

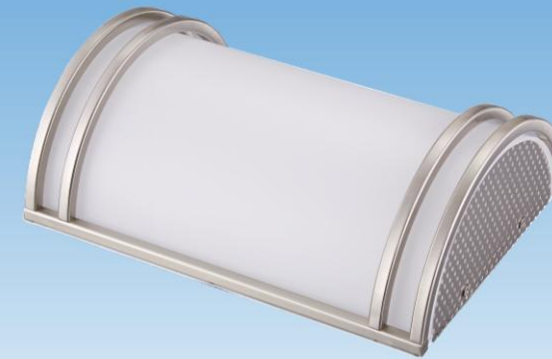
- Sleek, modern and contemporary design
- Durable metal construction is built for long product life and opal acrylic shade creates a beautiful glow when illuminated
- Damp location rated
- CCT selectable by dip switch
- Smooth dimming capabilities ranging from 10% to 100%
- Quick and easy installation, suitable for both vertical and horizontal mounting

Model	Size	Wattage	CCT	Lumen	Qty/Pack
HYA-VL01-18IN20W-CCT-NK	18"	20W	3000/4000/5000K Selectable	1400 lm	4PCS
HYA-VL01-24IN25W-CCT-NK	24"	25W		1750 lm	4PCS
HYA-VL01-36IN30W-CCT-NK	36"	30W		2100 lm	4PCS

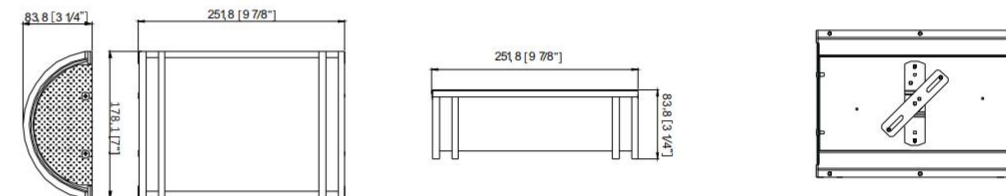


LED INDOOR WALL SCONCE SERIES

WS01 Series - LED Wall Sconce



Dimensions



Specification

Input Voltage	AC120V
CRI	> 80
Power Factor	> 0.9
Beam Angle	120°
THD	< 20%
Dimming	Triac dimming
Operating Temperature	-4°F~+104°F/-20°C~+40°C
Lifespan	Maintains at least 70% light output for up to 50,000 hours

Application

Bedroom / Hallway / Living room / Kitchen or any other residential and commercial applications...

Feature

- Sleek, modern and contemporary design
- Brushed nickel steel+Acrylic lens
- Damp location rated
- CCT selectable by dip switch
- Smooth dimming capabilities ranging from 10% to 100%
- Quick and easy installation, suitable for both vertical and horizontal mounting

Model	Size	Wattage	CCT	Lumen	Qty/Pack
HYA-WS01-15WCCT-NK	7"x9-7/8"x3-1/4"	15W	3000/4000/5000K Selectable	1050lm	6PCS

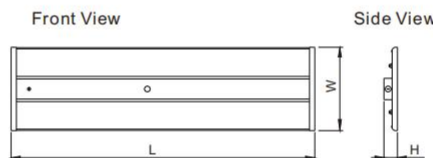


LED LINEAR HIGH BAY SERIES

LHB2 Series - LED Linear High Bay



Installation



Model No.	HYA-LHB2-110W2FT-H-XXX	HYA-LHB2-165W2FT-H-XXX	HYA-LHB2-165W4FT-H-XXX	HYA-LHB2-225W4FT-H-XXX	HYA-LHB2-300W4FT-H-XXX
Side L	605mm/23.8"	605mm/23.81"	1165mm/45.87"	1165mm/45.87"	1165mm/45.87"
W	320mm/12.6"	440mm/17.32"	320mm/12.6"	320mm/12.6"	440mm/17.32"
H	52mm/2.05"	52mm/2.05"	52mm/2.05"	52mm/2.05"	52mm/2.05"

Specification

Input Voltage	AC120-277V/347V
CRI	> 80
Power Factor	> 0.9
Beam Angle	110°
THD	< 20%
Dimming	0-10V Dimmable
Operating Temperature	-4°F~+104°F/-20°C~+40°C
Lifespan	Maintains at least 70% light output for up to 50,000 hours

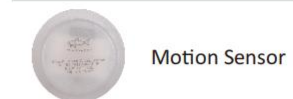
Application

Industrial / Warehouse / Supermarket / Factory and other high ceiling application...

Feature

- Ideal substitute for HID warehouse lighting
- Steel housing featuring a white powder-coated finish
- Lightweight module design for convenience
- Flexible mounting options: chain, pendant, or V hook

Option



Model	Size	Wattage	CCT	Lumen	Qty/Pack
HY-LHB-110W2FT-X-XXXX(XX)	2FT	70/90/110W Selectable	3500/4000/5000K Selectable	9800/12600/15400 lm	2PCS
HY-LHB-160W2FT-X-XXXX(XX)	2FT	120/140/160W Selectable		16800/19600/22400 lm	2PCS
HY-LHB-220W2FT-X-XXXX(XX)	2FT	160/190/220W Selectable		22400/26600/30800 lm	2PCS
HY-LHB-220W4FT-X-XXXX(XX)	4FT	160/190/220W Selectable		22400/26600/30800 lm	2PCS
HY-LHB-300W4FT-X-XXXX(XX)	4FT	220/260/300W Selectable		30800/36400/42000 lm	2PCS

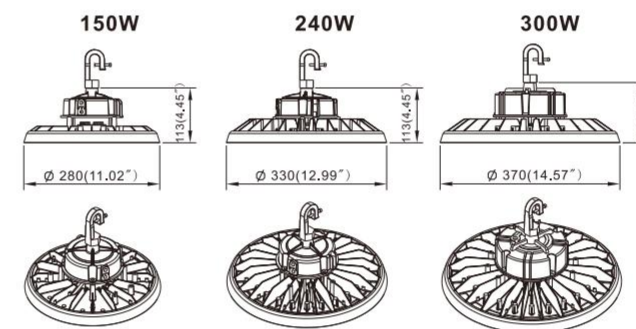


LED UFO HIGH BAY SERIES

UFO Series - LED UFO High Bay



Dimensions



Specification

Input Voltage	AC120-277V
CRI	> 80
Power Factor	> 0.9
Beam Angle	110°
THD	< 20%
Dimming	0-10V Dimmable
Operating Temperature	-4°F~+113°F/-20°C~+45°C
Lifespan	Maintains at least 70% light output for up to 50,000 hours

Application

Warehouse / Factory / Exhibition room / Gas station / Supermarket...

Feature

- Fins design with advective holes and grooves in each fin, promoting effective heat dissipation
- Wide input voltage range AC120-277V (0-10V dimmable) featuring 2835 lumileds LED as the light source
- Professional light distribution technique with high light reflectivity reflectors, achieving a lens pass rate of over 90%
- Lightweight and compact size, resulting in approximately half the shipping costs savings



Built in sensor base
Easy Twist on Sensor Installation

Option



Reflector

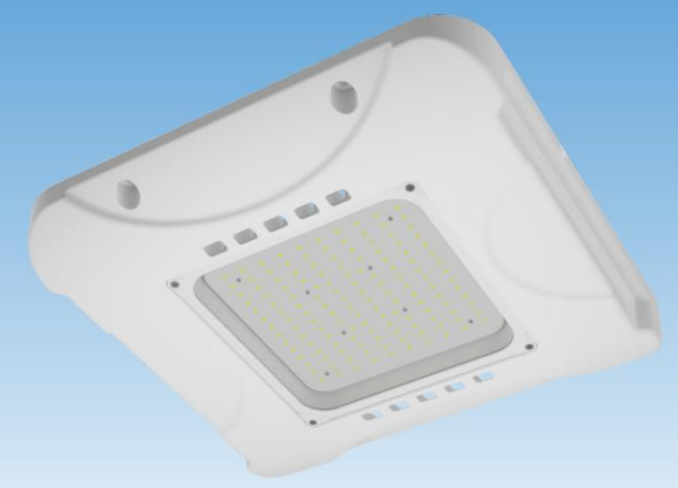
Motion Sensor

Model	Size	Wattage	CCT	Lumen	Qty/Pack
HY-UFO-150W-110-H-3W3CCT	ø11.02"x4.45"	100/120/150W Selectable	3000/4000/5000K Selectable	14000/16800/21000lm	1PC
HY-UFO-240W-110-H-3W3CCT	ø12.99"x4.45"	150/200/240W Selectable		21000/28000/33600lm	1PC
HY-UFO-300W-110-H-3W3CCT	ø14.57"x4.88"	260/280/300W Selectable		36400/39200/42000lm	1PC

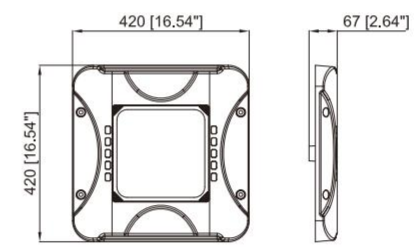


LED GAS STATION CANOPY SERIES

LED Gas Station Canopy



Dimensions



Application

Ideal for lighting a car port / Gas station / Gym / Garage or any other high bay lighting locations

Specification

Input Voltage	AC100-277V
CRI	> 80
Power Factor	> 0.9
Beam Angle	110°
THD	< 20%
Operating Temperature	-4°F~+104°F/-20°C~+40°C
Lifespan	Maintains at least 70% light output for up to 50,000 hours

Feature

- Employs professional optical technology, achieving 130 lumens per watt for a broad light projection
- Fixture designed for enhanced cooling, featuring a larger size and an aluminum heat sink to ensure long-lasting performance
- Integrated driver for straightforward installation and operation
- UL-classified to mitigate electrical shock and fire hazards

Model	Size	Wattage	CCT	Lumen	Qty/Pack
HYA-GS-150W-57K	16.54"x2.64"x16.54"	150W	5700K	21105lm	1PC

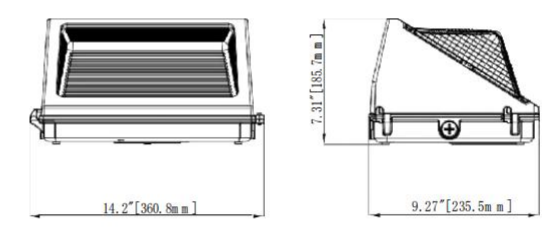


LED OUTDOOR LIGHT SERIES

WP Series - LED Wall Pack



Dimensions



Specification	
Input Voltage	AC120-277V
CRI	> 80
Power Factor	> 0.9
Beam Angle	95°x105°
THD	< 20%
Dimming	0-10V Dimmable
Operating Temperature	-40°F~+113°F/-40°C~+45°C
Lifespan	Maintains at least 70% light output for up to 50,000 hours

Application
Security / Pathway and perimeter lighting building entryways / Walkways and much more

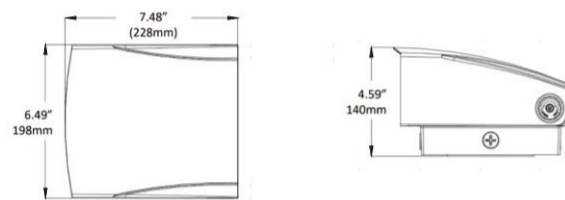
- Feature**
- Ik08-rated prismatic glass cover lens for robust protection
 - Enhanced surge protection for added reliability
 - Suitable for use in ambient temperatures ranging from -40°F to 113°F
 - Die-cast aluminum construction ensures superior heat resistance
 - Powder-coat finish formulated for high durability and long-lasting color
 - Photocell pre-installed for added convenience

Model	Wattage	CCT	Lumen	Qty/Pack
HYA-WP-120/100/80W-H-3CCT	80/100/120W Selectable	3000/4000/5000K Selectable	10400/13000/15600 lm	1PC
HYA-WP-80/60/45W-H-3CCT	45/60/80W Selectable		5850/7800/10400 lm	1PC

WPA Series - LED Adjustable Wall Pack



Dimensions



Specification

Input Voltage	AC120-277V
CRI	> 80
Power Factor	> 0.9
Beam Angle	65°x95°
THD	< 20%
Dimming	0-10V Dimmable
Operating Temperature	-40°F~+113°F/-40°C~+45°C
Lifespan	Maintains at least 70% light output for up to 50,000 hours

Application

Security / Pathway and perimeter lighting / Building entryways / Walkways and much more

Feature

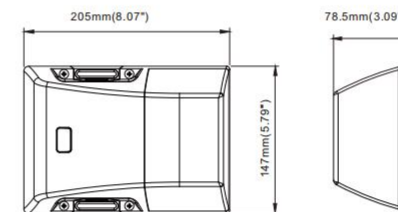
- Heavy duty spring loaded 0° to 90° tilt hinge
- Wattage selections: 45W-60W-80W
- Color selections: 3000 / 4000 / 5000K
- Great for full cut off lighting and wall washing applications

Model	Size	Wattage	CCT	Lumen	Qty/Pack
HYA-WPA-80W-TW3CCT	8.58"X8.5"	45/60/80W Selectable	3000/4000/5000K Selectable	5400/7200/9000 lm	4PCS

MNWP Series - LED Mini Wall Pack



Dimensions



Specification

Input Voltage	AC120-277V
CRI	> 80
Power Factor	> 0.9
Beam Angle	120°
THD	< 20%
Dimming	0-10V Dimmable
Operating Temperature	-40°F~+122°F/-40°C~+50°C
Lifespan	Maintains at least 70% light output for up to 50,000 hours

Application

Security / Pathway and perimeter lighting building entryways / Walkways and much more

Feature

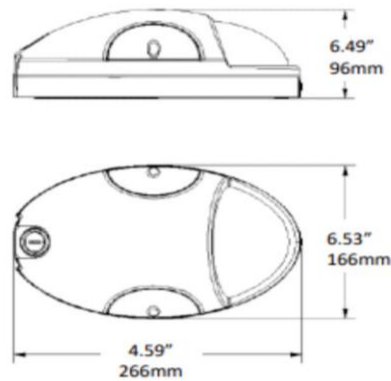
- Die cast aluminum housing with corrosion resistant polyester paint finish
- The UV-stabilized PC lens ensures resistance to both corrosion and weathering
- Photocell can be enabled or disabled to user preference

Model	Size	Wattage	CCT	Lumen	Qty/Pack
HYA-MWP-962-3W3CCT	8.78"X5.92"X2.56"	15/20/25W Selectable	3000/4000/5000K Selectable	1800/2400/3000 lm	10PCS

MWPEM Series - LED Emergency Wall Pack



Dimensions



Application

Perfect commercial or industrial solution for entrance lighting / Courtyard lighting / Outdoor landscape lighting / Wall lighting area and more applications

Specification

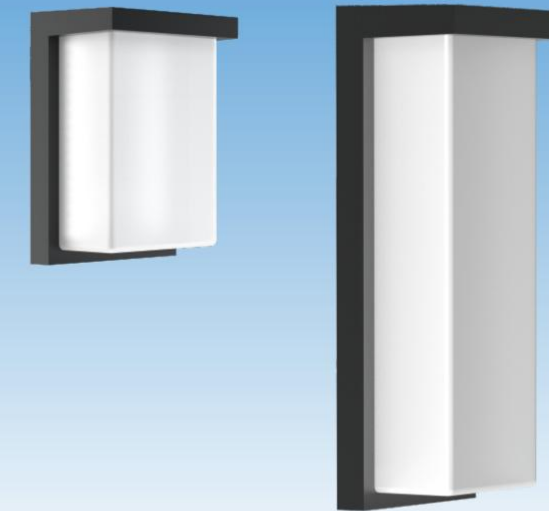
CRI	> 80
Dimming	0-10V
Input Voltage	AC100-277V 50/60Hz
Operation Temperature	+32°F ~+113°F / ~0°C~+45°C
Driver Surge protection	L/N-PE: 2.5kV,L-N: 2.5kV
Lamp Shell	Dark bronze
Environment Location	Wet location (IP65)
Life Span	Lumen maintenance over 70% @50,000+ Hours

Feature

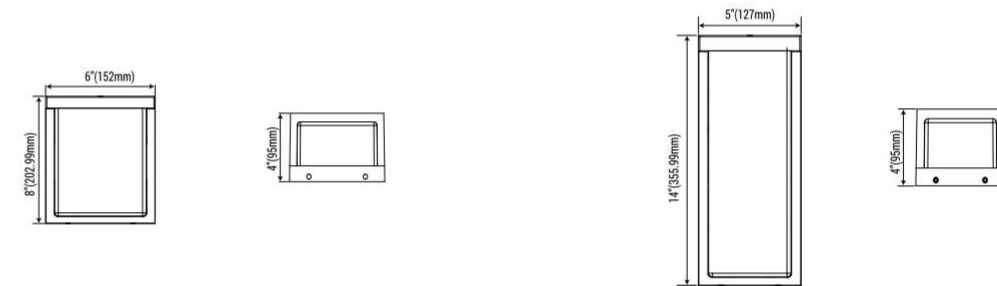
- Power factor: >0.95; THD: <20%
- 24-hour backup battery recharge time and over 90- min emergency operation during a power outage
- Non-yellowing and durable polycarbonate lens
- Type IV light distribution pattern and 100° beam angle

Model	Option	Wattage	CCT	Lumen	Qty/Pack
HYA-MWP-15W-EM-35/40/50(PC)	With Photocell	15W	3000/4000/5000K Selectable	1800lm (620lm at EM Mode)	10PCS

WS Series - LED Outdoor Wall Sconce



Dimensions



Specification

Input Voltage	AC120-277V
CRI	> 80
Power Factor	> 0.9
Beam Angle	125°
THD	< 20%
Dimming	0-10V Dimmable
Operating Temperature	-4°F~+122°F/-20°C~+50°C
Lifespan	Maintains at least 70% light output for up to 50,000 hours

Application

Balconies / Porches / Walkways / Hallways / Entry ways / Living and dining spaces in both residential and commercial spaces...

Feature

- Modern, stylish, and durable design with a novel and elegant appearance
- Lamp design integrates die-cast aluminum backplate for a cohesive look
- Effective heat dissipation with a lampshade made of PC anti-yellow, high-transmittance material, ensuring optimal light transmission
- Available in two size options
- Three levels of adjustable wattage and three levels of adjustable color temperature
- Pre-installed photocell for added convenience

Model	Size	Wattage	CCT	Lumen	Qty/Pack
HYA-WS-0864-3W3CCT-BK	6"x8"x4"	12/14/16W Selectable	3000/4000/5000K Selectable	1440/1680/1920lm	10PCS
HYA-WS-1454-3W3CCT-BK	5"x14"x4"	18/20/22W Selectable		2160/2400/2640lm	10PCS

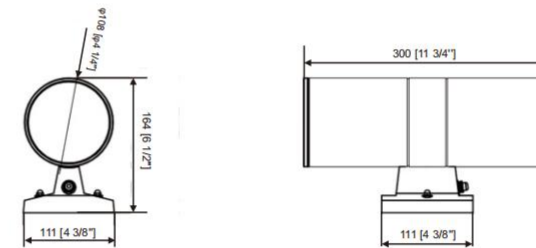


LED OUTDOOR LIGHT SERIES

CUD Series - LED Cylinder Up and Down Outdoor Wall Light



Dimensions



Application

Ideal for houses / building entrances / walkways / porches / perimeters or any outdoor space

Specification

Input Voltage	AC120-277V
CRI	> 80
Power Factor	> 0.9
Sensor Option	Photocell Pre-Installed
Operating Temperature	-4°F~+104°F/-20°C ~+40°C
Lifespan	Maintains at least 70% light output for up to 50,000 hours

Feature

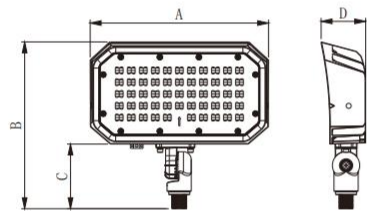
- Constructed of rugged, aluminum alloy and glass lens
- Projects in both directions and washes the wall above and below with light
- Durable and suitable for wet locations
- Matte black finish and modern design
- Pre-installed dusk to dawn light photocell sensor to turn off the lights during daytime and save more energy

Model	Size	Wattage	CCT	Lumen	Qty/Pack
HYA-CUD-18W3CCTPC	11-3/4"x4-3/8"x6-1/2"	18W	3000/4000/5000K Selectable	1100 lm	6PCS

FL Series - LED Flood Light



Dimensions



	A	B	C	D
15w	5.1"	6.1"	3.3"	1.8"
30W	7.0"	7.2"	3.3"	2.0"
50W	9.0"	8.4"	2.2"	2.3"

Specification

Input Voltage	AC120-277V
CRI	80
Power Factor	> 0.9
Beam Angle	80°x110°
THD	< 20%
Dimming	0-10V Dimmable
Operating Temperature	-40°F~+113°F/-40°C~+45°C
Lifespan	Maintains at least 70% light output for up to 50,000 hours

Application

Ideal for wall lighting / Landscape / Building facade and signage entry ways / Garages building perimeters / Loading bays and both for residential and commercial applications...

Feature

- Die-cast aluminum housing serves as a heat sink, engineered for optimal efficiency and effective cooling via natural convection passive airflow
- The distinctive rectangular octagonal design enhances the floodlight's visual impact with a sense of robustness
- A precise scale on the bracket ensures consistent mounting angles
- Equipped with a half-inch knuckle mount for simple and direct installation

Option



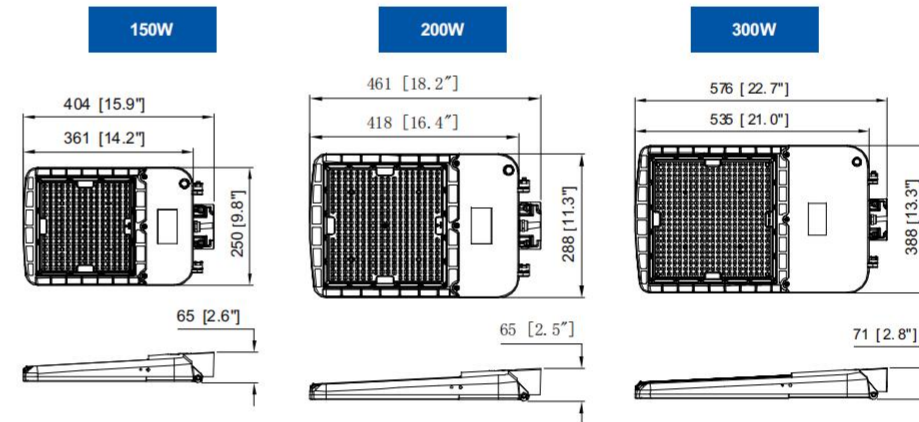
Photocell Sensor (50W)

Model	Size	Wattage	CCT	Lumen	Qty/Pack
HYA-FL-15W-80°110-D-K-50K	5.1"x6.1"x1.8"	15W	5000K	1950 lm	30PCS
HYA-FL-30W-80°110-D-K-50K	7.0"x7.2"x2.0"	30W		3900 lm	20PCS
HYA-FL02-50/40/30W-3CCT	9.0"x8.4"x2.3"	50/40/30W Selectable	3000/4000/5000K Selectable	6500 lm max	10PCS

AL02 Series - LED Area/Shoebox Light (Watt Adjustable)



Dimensions



Accessories



Specification

Input Voltage	AC120-277V
CRI	> 80
Power Factor	> 0.9
Distribution Type	Type 3
THD	< 20%
Dimming	0-10V Dimmable
Protection Rating	IP65
Operating Temperature	-40°F~+113°F/-40°C~+45°C
Lifespan	Lumen maintenance over 70% @50,000+ Hours

Application

Outdoor area lighting / Parking lots / Buildings / Building facades / Storage yards / Parks and much more

Feature

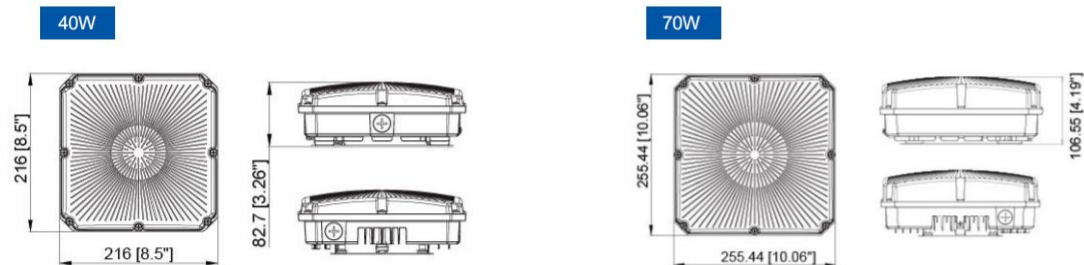
- Dark bronze finish and cast aluminum design for improved cooling and easy light quality replacement, LED Tj<185°F
- Excellent optical design significantly enhances light utilization and evenness
- High-efficiency LED Driver with a wide input voltage range AC120-277V (0-10V Dimmer)
- Superior thermal management with external airflow fins
- Built-in 12V driver with photocell and motion control options
- Wattage-selectable option to suit various environmental needs

Model	Wattage	CCT	Lumen	Mounting Height	Qty/Pack
HYA-AL02-150W-H3-50K-TW	70/100/150W Selectable	5000K	9100/13000/19500 lm	10'-30'	1PC
HYA-AL02-200W-H3-50K-TW	100/150/200W Selectable		13000/19500/26000 lm	15'-35'	1PC
HYA-AL02-300W-H3-50K-TW	200/240/300W Selectable		26000/31200/39000 lm	25'-40'	1PC

GC Series - LED Garage Canopy



Dimensions



Specification

Input Voltage	AC120-277V
CRI	> 80
Power Factor	> 0.9
Beam Angle	120°
THD	< 20%
Dimming	0-10V Dimmable
Operating Temperature	-40°F~-104°F/-40°C~+40°C
Lifespan	Maintains at least 70% light output for up to 50,000 hours

Application

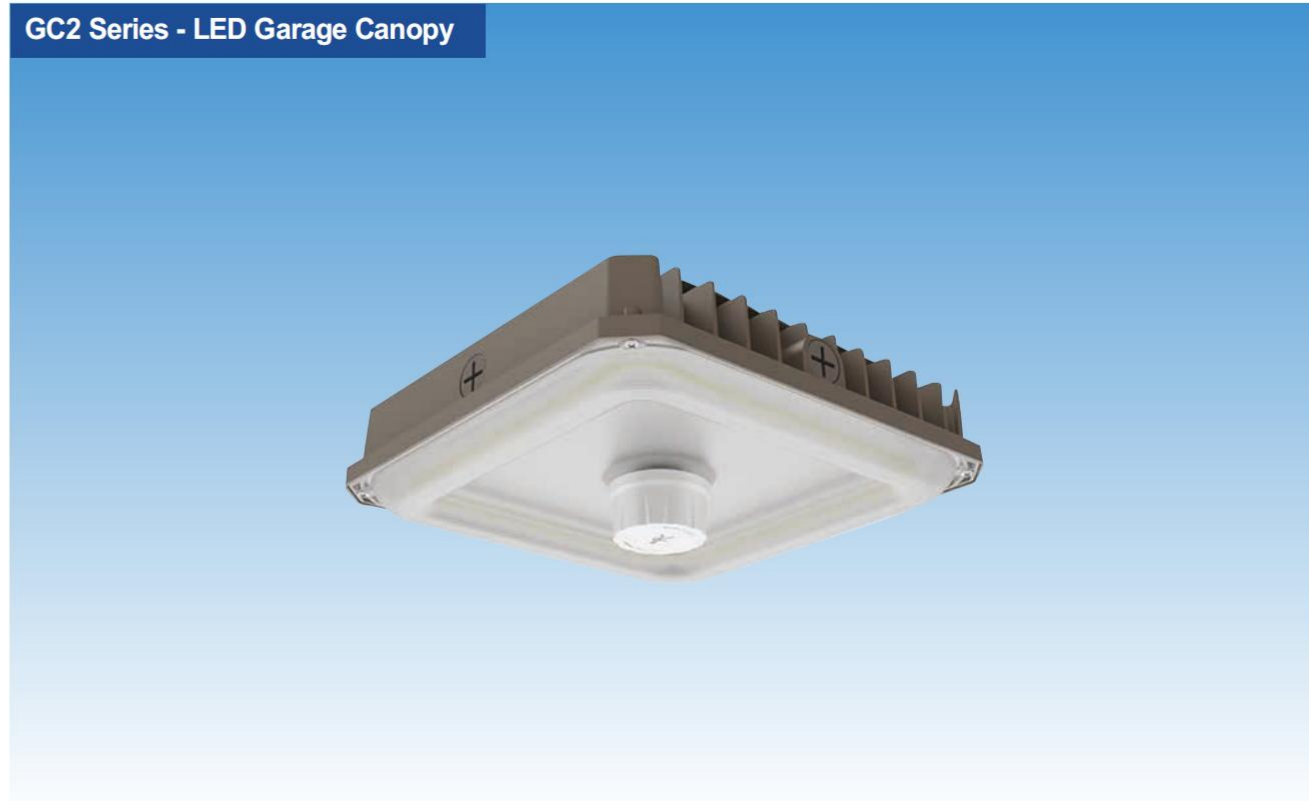
Parking structures / Storage areas / Shopping areas / Entryway / Low roof security and much more

Feature

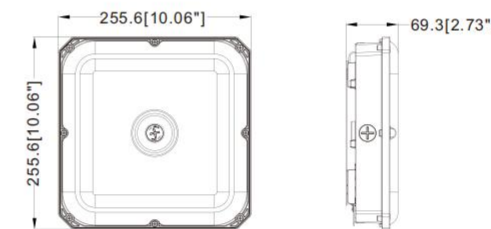
- Designed for operation in ambient temperatures ranging from -40°F to 104°F
- Die-cast aluminum housing with a die-cast backbox, providing four conduit entry points and a knockout pattern for junction box or direct wall mounting
- Hinged door allows for effortless re-assembly
- Lightweight design enables easy installation while ensuring optimal heat dissipation
- Powder-coat finish engineered for outstanding durability and color retention

Model	Size	Wattage	CCT	Lumen	Qty/Pack
HYA-GC-40W-P-5000K	8.5"x8.5"x3.26"	40W	5000K	5200 lm	6PCS
HYA-GC-70W/60W/40W-G-CCT	10.06"x10.06"x4.19"	40/60/70W Selectable	3000/4000/5000K Selectable	5200/7800/9100 lm	4PCS

GC2 Series - LED Garage Canopy



Dimensions



Specification

Input Voltage	AC120-277V
CRI	> 80
Power Factor	> 0.9
Beam Angle	150°
THD	< 20%
Dimming	0-10V Dimmable
Operating Temperature	-40°F~-113°F/-40°C~+45°C
Lifespan	Maintains at least 70% light output for up to 50,000 hours

Model	Wattage	CCT	Lumen	Qty/Pack
HYA-GC2-40/60/80W-H-3CCT	40/60/80W Selectable	3500/4000/5000K Selectable	5200/7800/10400 lm	4PCS

Application

This garage lamp is a special design for application in places like parking garage / car pool / driveway / underpass...

Feature

- Plug-and-play sensor for seamless installation
- Fins design with advective grooves between fins, facilitating effective heat dissipation
- Professional light distribution technique, incorporating high light reflectivity reflectors and offering a 150-degree beam angle; lens light transmission rate surpasses 90%
- Compliant with UL certification, ensuring safety and reliability
- Power tunable and CCT selective functions are available
- Capability to install an EM driver, allowing customers to customize the plug sensor themselves

Option



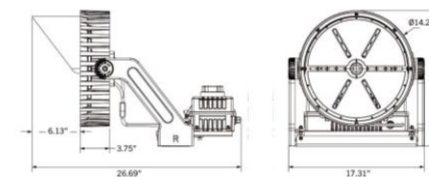
Motion Sensor

SP Series - LED Sports Light

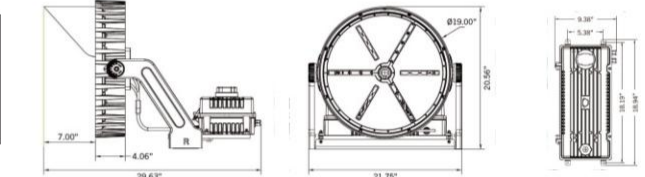


Dimensions

500W



750W



Specification

CRI	>80
Environment Location	Wet locations (IP65)
Driver Surge protection	L/N-PE: 10kV, L-N:6kV
Lamp Shell	Black
Beam Angle	40°
Working Temperature	-40°F ~122°F / -40°C~50°C
Lifespan	Lumen maintenance over 70% @ 100,000+ Hours

Application

Perfect Stadiums / Ports Field / Driving Ranges / Ski Resorts / Parks / More high power, wide flood, pole mount illumination needs...

Feature

- Power factor: >0.95; THD: <20%
- Heavy duty die cast aluminum housing offers a durable and modern aesthetic while carrying inspiration from existing legacy fixture solutions
- Glare shield included in packaging. Easy install for use as required by site demands
- Designed for installation as a single assembly or with a remote driver box, providing on-site flexibility
- Pre-Installed angle adjustable yoke mount bracket

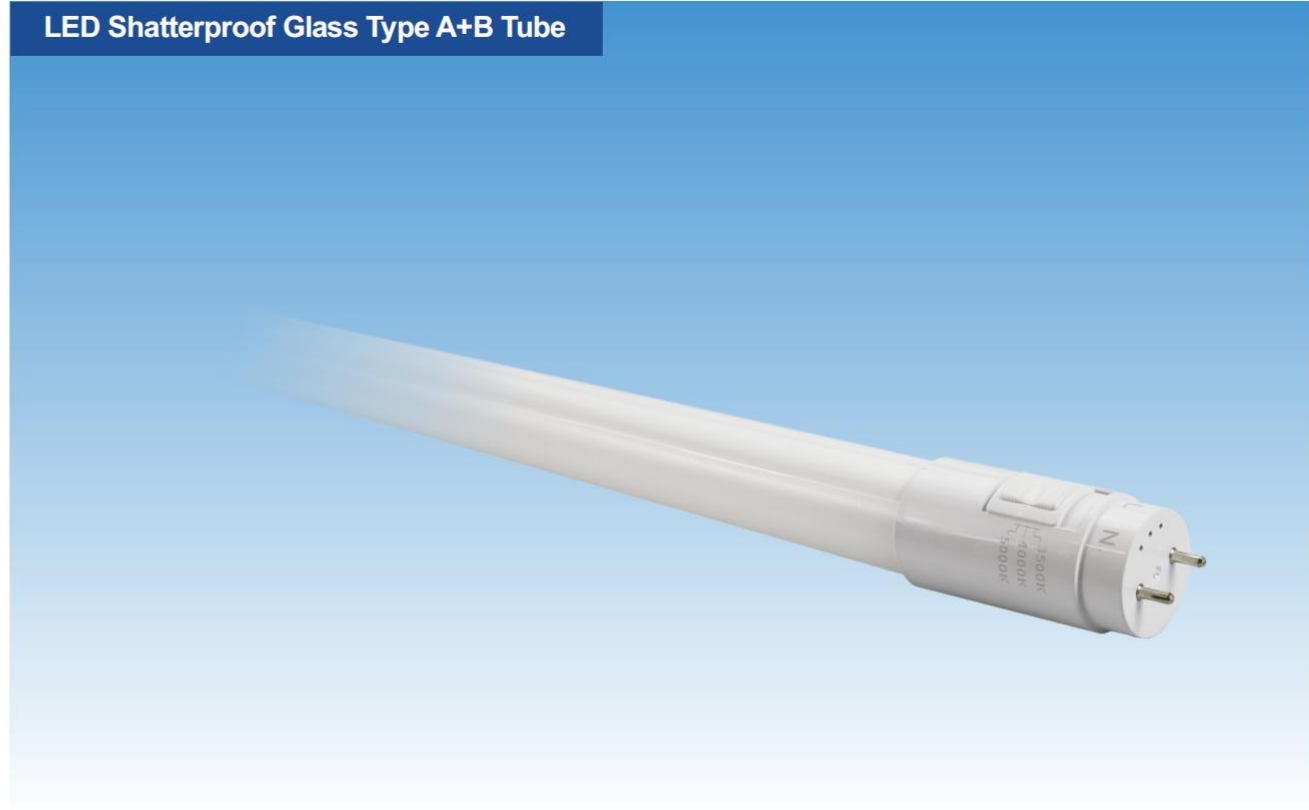
Model	Input Voltage	Legacy Equivalent	Wattage	CCT	Lumen	Qty/Pack
HYA-SP-500W-50TWFM- T1PS4(BHC)	120-277V	1500W MH	500/400/300W Selectable	5000K	70000 lm	1PC
HYA-SP-750W-50TWFM- T1PS4(BHC)	120-277V	2000W MH	750/600/450W Selectable		105000 lm	1PC
HYA-SP-750W-HV-50TWFM-T1PS4(BHC)	220-480V	2000W MH			105000 lm	1PC

LED SPORTS LIGHT SERIES

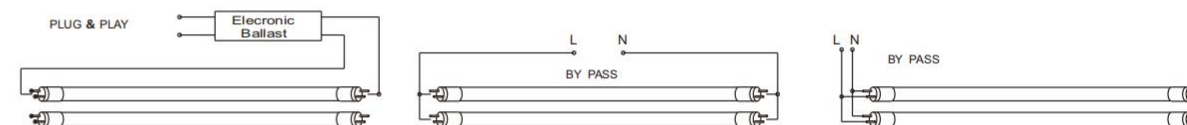


LED TUBE SERIES

LED Shatterproof Glass Type A+B Tube



Installation



Specification

Input Voltage	AC120-277V
CRI	> 80
Power Factor	> 0.9
Beam Angle	270°
THD	< 20%
Operating Temperature	-13°F~+113°F/-25°C~+45°C
Lifespan	Maintains at least 70% light output for up to 50,000 hours

Application

Supermarket / Office / Shopping Mall / Hotel / Hospital / School / Showrooms...

Feature

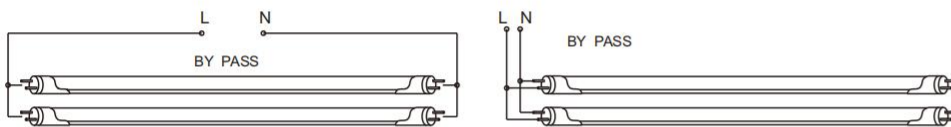
- High energy efficiency: Save over 60% energy compared to T8 fluorescent lamps
- RoHS Compliant-Mercury Free: Eliminate disposal problems
- Instant-on light / No Flicker
- High uniformity of light
- Hybrid Series-Type A+B-Fast and easy installation: Hybrid mode works with or without ballast

Model	Material	Wattage	CCT	Lumen	Qty/Pack
HYA-T8-4FT-18W-AB3CCT	Outer film glass	18W	3500/4000/5000K Selectable	2160 lm	25PCS

4FT LED AL & PC Tube



Installation



Specification

Input Voltage	AC120-277V
CRI	> 80
Power Factor	> 0.9
Beam Angle	180°
THD	< 20%
Operating Temperature	-13°F~+113°F/-25°C~+45°C
Lifespan	Maintains at least 70% light output for up to 50,000 hours

Application

Supermarket / Office / Shopping mall / Hotel / Hospital / School / Showrooms...

Feature

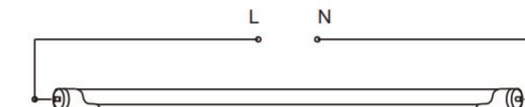
- Aluminum housing ensures durability and longevity
- Demonstrates high energy efficiency, resulting in savings of over 60% compared to T8 fluorescent lamps
- Compliant with RoHS regulations and mercury-free, addressing disposal concerns
- Ballast bypass feature enables direct wiring to mains, facilitating straightforward and rapid installation, while also eliminating the need for ballast maintenance costs

Model	Size	Wattage	CCT	Lumen	Cover	Qty/Pack
HY-T8-18P4FT-BXXK	4FT	18W	4000K	2250 lm	Clear/Frosted	25PCS
HY-T8-18P4FT-BXXK	4FT	18W	5000K	2250 lm	Clear/Frosted	25PCS
HY-T8-20P4FT-BXXK	4FT	20W	6500K	2500 lm	Clear	25PCS

8FT LED AL & PC Tube



Installation



Specification

Input Voltage	AC120-277V
CRI	> 80
Power Factor	> 0.9
Beam Angle	180°
THD	< 20%
Operating Temperature	-13°F~+113°F/-25°C~+45°C
Lifespan	Maintains at least 70% light output for up to 50,000 hours

Application

Supermarket / Office / Shopping mall / Hotel / Hospital / School / Showrooms...

Feature

- Aluminum housing ensures durability and longevity
- 8FT tube facilitates expedited installation
- Demonstrates high energy efficiency, resulting in savings of over 60% compared to T8 fluorescent lamps
- Compliant with RoHS regulations and mercury-free, addressing disposal concerns
- Ballast bypass feature enables direct wiring to mains, facilitating easy and rapid installation, while also eliminating the need for ballast maintenance costs

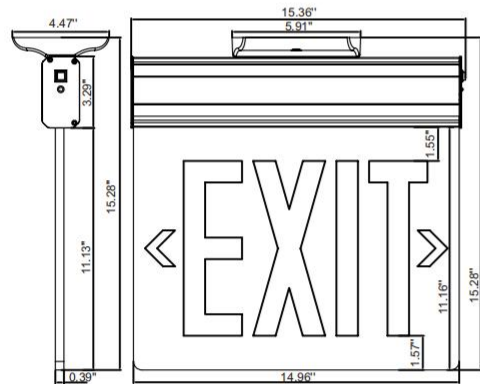
Model	Size	Wattage	CCT	Lumen	Cover	Qty/Pack
HY-T8-36P8FT-BXXK	8FT	36W	4000K	4500 lm	Frosted	25PCS
HY-T8-36P8FT-BXXK	8FT	36W	5000K	4500 lm	Clear/Frosted	25PCS
HY-T8-50P8FT-BXXK	8FT	50W	6500K	6250 lm	Clear	25PCS

LED Edge Lit Exit Sign (HY-EXS028R-NYC)

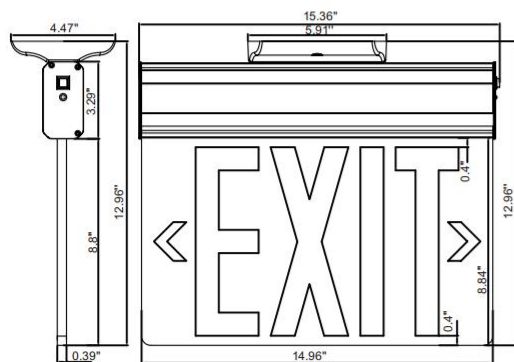


Dimensions

See-through Glass Lens



Mirror 2 Sided Lens



Application

Above exit doors / In hallways, Along designated emergency exit routes / In basements and storage areas...

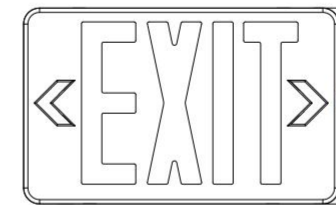
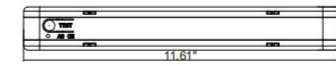
Specification

Voltage	Dual 120/277 volt operation
Emergency Time	90 Minutes with 4.8V Ni-Cad Battery
Operating Temperature	32°F ~+104°F / ~0°C~+40°C
Number of Faces	See through single side clear faceplate (Optional: Mirrored double sided faceplate)

Feature

- Suitable for top, side, and back mounting
- Injection-molded, color-stable, high-impact UL 94-5VA rated polycarbonate
- NYC Approved with 8" letters
- High-impact UL 94-5VA
- Energy-efficient LED technology guarantees clear visibility during emergencies
- Single or double sides; Two lens options: See-through glass lens and mirror double-sided

LED Exit Sign: HY-EXS01RED



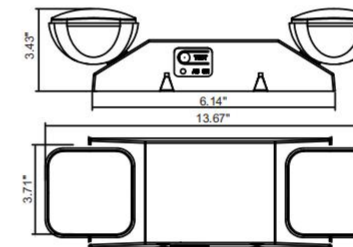
Feature

- UL924 and damp location rated
- Test switch / power indicator light
- High impact flame retardant high thermos plastic
- Single or double sided sign option
- Universal mounting option: Can be wall, top or end mounted

Specification

Voltage	120/277V 60Hz
Finish	White finish / red Sign
Emergency Time	90 Minutes
Battery	1.2V Ni-Cad battery
Wattage	1.0W@120V; 0.85W@277V
Operating Temperature	32°F~+104°F/0°C~+40°C

LED Emergency Light: HY-EML01WH



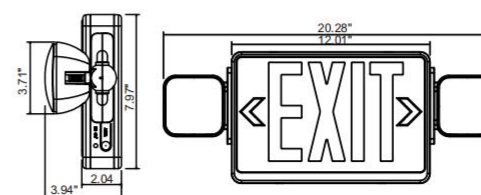
Feature

- UL924 and damp location rated
- Wall mount: Fully adjustable heads

Specification

Voltage	120/277V 60Hz
Finish	White finish
Emergency Time	90 minutes with 6.0V Ni-Cad battery
Lumens	234 lm
Wattage	3.0W@120V;3.6W@277V
Operating Temperature	32°F~+104°F/0°C~+40°C

LED Exit Sign and Emergency Light Combo: HY-EXLCOMB01RED



Feature

- Certified for damp locations and UL924 compliant
- Equipped with a test switch incorporating a power indicator light
- Crafted from high-impact flame-retardant thermoplastic materials
- Well-suited for environments requiring both exit signage and emergency lighting within the same area
- Offers versatile mounting options: Wall, top, or end-mounted configurations are available

Specification

Voltage	120/277V 60Hz
Finish	White finish / Red sign
Emergency Time	90 minutes with 6.0V Ni-Cad battery
Lumens	247 lm
Wattage	3.0W@120V;3.7W@277V
Operating Temperature	32°F~+104°F/0°C~+40°C

