



LED Pendant Cylinder Light



Application: Ideal for dining rooms, kitchen islands, stairwells, and other residential or commercial pendant lighting needs.

Certification



120V
VOLTAGE

CCT
Selectable

5
Years
Limited
Warranty

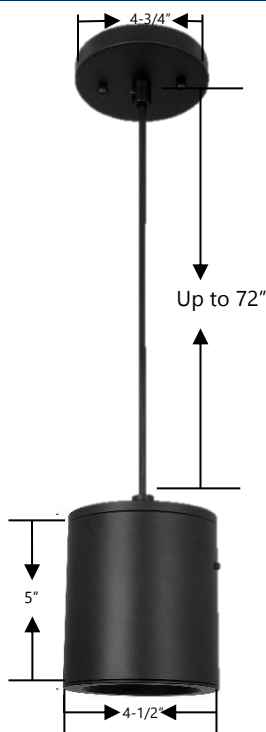
Dimmable

DAMP
Location

Feature

- Offers versatile lighting with 3CCTs, creating the perfect ambiance for various settings
- Damp Location Listed for added reliability in moisture-prone areas.
- Offers two installation methods: pendant and flush mount for flexible placement.

Dimensions



Specifications

Model	HYA-CYL-6IN3CCT-BK
Wattage	15W
Dimming	5%-100% Dimmable
Lumen Output	1000 LM
Input Voltage	AC120V
CCT	3000K-4000K-5000K Selectable
CRI	Ra>80
Power Factor	>0.9
Beam Angle	120°
House Color	Black & Opal Acrylic
Pendant Cable Length	Up to 6FT
Working Temperature	-4°F ~ +104°F / -20°C ~ +40°C
Environment Location	Damp Location Listed
Life Span	Lumen Maintenance over 70% @ 50,000+ Hours
Warranty	5 Years Limited
PCS/BOX	1

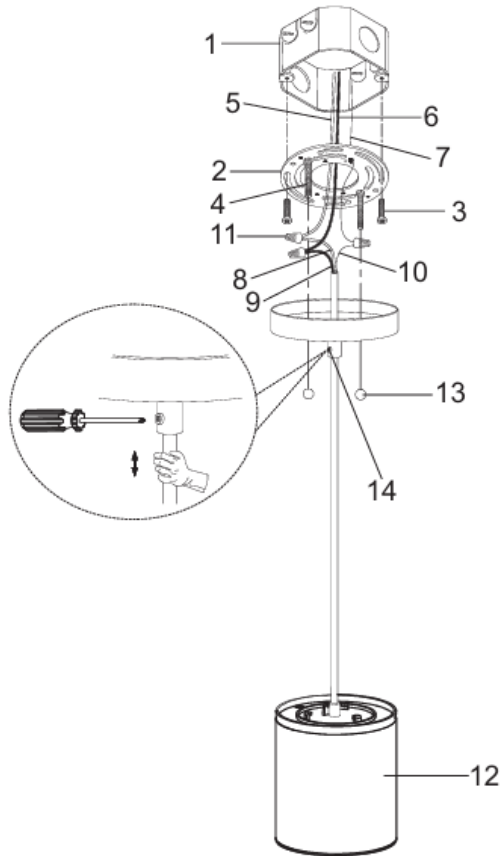


LED Pendant Cylinder Light

Installation

Installation Method 1: Pendant

1. OUTLET BOX (EXCLUDED)
2. MOUNTING BRACKET
3. MOUNTING SCREW
4. FIXTURE SCREW
5. WHITE SUPPLY WIRE
6. BLACK SUPPLY WIRE
7. HOUSE GROUND WIRE
8. WHITE FIXTURE WIRE
9. BLACK FIXTURE WIRE
10. FIXTURE GROUND WIRE
11. WIRE CONNECTOR
12. FIXTURE BASE
13. DECORATIVE NUT
14. SET SCREW



Installation Method 2: Flush Mount

1. OUTLET BOX (EXCLUDED)
2. MOUNTING BRACKET
3. MOUNTING SCREW
4. PLASTIC SCREW
5. WHITE SUPPLY WIRE
6. BLACK SUPPLY WIRE
7. HOUSE GROUND WIRE
8. WHITE FIXTURE WIRE
9. BLACK FIXTURE WIRE
10. FIXTURE GROUND WIRE
11. WIRE CONNECTOR
12. FIXTURE BASE
13. HEXAGONAL SCREWDRIVER
14. SAFETY HOOK

