



LED Wall Scone - WS01 Series



Application: bedroom, hallway, living room, kitchen or any other residential and commercial applications

Description

This Energy Saving LED wall scone light fixture is maintenance free using integrated LED modules. It has a sleek, modern and contemporary design that allows you to have a stylish look with efficient lighting. Durable metal construction is built for long product life and opal acrylic shade creates a beautiful glow when illuminated.

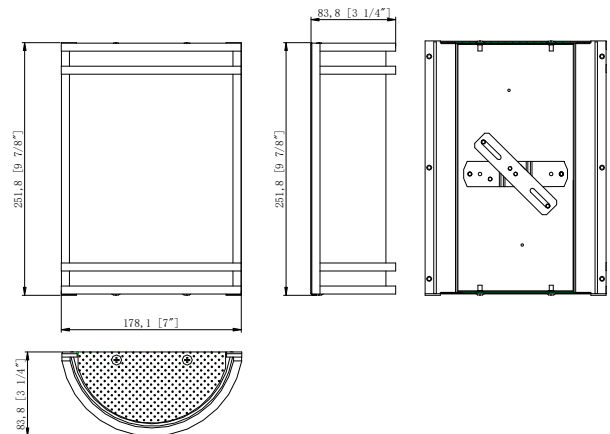
Feature

- Damp Location rated
- 5-year limited warranty
- Comes in 10"
- CCT Selectable by dip switch: 3000K, 4000K and 5000K
- Has smooth dimming capabilities ranging from 10% to 100%
- Quick and easy Installation. Can be installed both vertically and horizontally

Specifications

Model	HYA-WS01-15WCCT-NK
Power	15W
Size	10"
Lumens	1050LM
Max input current	0.19A
Input Voltage	120 V
Housing	Brushed Nickel Steel+Acrylic Lens
Dimming	Triac Dimming (10%-100%)
Protecting Rating	IP20 (For indoor use ONLY)
Power Factor	0.9+
Beam Angle	120°
CCT	3000K/4000K/5000K Selectable
CRI	80+
Surge protection DM/CM	1.25 kV / 1.25 kV
Working Life	Lumen Maintenance over 70% @50,000+ hours
Oper. Temperature	-4°F to 113°F (-20°C to 45°C)
Qty/Package	6
Package Dim	18.89"x14.96"x12.4" (480x380x315MM)
Package Weight	32.16LB (14.59KG)

Dimensions



Installation

