

LED GLASS COVER SMALL WALL PACK LIGHT



GENERAL SERIES LED GLASS COVER SMALL WALL PACK LIGHT

CERTIFICATIONS



MODEL#: AWODL001-XXXW-XXK-XX

Specifications:

SKU:	AWODL001-XXXW-XXK-XX
Power:	30w
Input Voltage:	AC100-277V
Luminous Flux:	3,000 Lumens
Efficacy:	100 lm/W
Power Factor:	0.9
Driver Efficiency:	>90%
CCT:	5000K (4000K Option)
CRI:	75
Total Harmonic Distortion:	19.91%
LED Brightness Decay:	<5%/6,000 hours
Working Life:	>50,000 hours
Working Temperature:	-30°F to 105°F
Protection Level:	Wet Location/IP65
Product Size:	8.7" x 8.4" x 9.2"
Packing Size (1 pc):	11" x 10" x 9.5"
Packing Size (4p/carton):	21" x 20" x 12"
Net Weight:	5.5 lbs
Gross Weight (1 pc):	6.5 lbs
Gross Weight (4p/carton):	26 lbs
DLC Product ID:	50K: P5P9QYB1 40K: PKB1DHVV

Product Abstract:

The die-cast aluminum housing with durable powder coat finish features an integrated high-power LED driver. Featuring a classic form, the General series wall pack offers a traditional appearance and is powered by advanced LEDs. The lens is made of prismatic borosilicate glass designed to withstand damaging effects of outdoor environments. Fixtures with glass lens have lower lumens decay as well. Fast and easy mounting method gets your job done more efficiently. Photocell optional for auto on/off. Our glass wall packs feature great quality and value.

Application: security, pathway and perimeter lighting, building entryways, walkways and much more.

Mounting Height: 8' to 15'

Led characteristics:

- Phillips Lumileds LED, high luminous efficacy and long working life
- 50,000+ hour LED lifespan based on IES LM-80 results and TM-21 calculations
- LED color temperature is warranted to shift no more than 200K in CCT over a 5-year period
- Our range of CCT (Correlated Color Temperature) follows the guidelines of the American National Standard for Specifications for the Chromaticity of Solid State Lighting (SSL) Products, ANSI C78.377-2015.

Construction:

- Minimum starting temperature is -30°F
- Suitable for use in areas up to 105°F ambient temperatures
- Die-cast aluminum housing with die-cast mounting plate for junction box or conduit mounting.
- Newest light weight design for easy installation, at the same time still with excellent heat dissipation for longer lifespan
- High-temperature silicone gaskets
- Ingress Protection rating of IP65 for dust and water
- Powder-coat finish formulated for high-durability and long-lasting color
- Mercury and UV free. RoHS compliant components. Polyester powder coat finish formulated without the use of VOC or toxic heavy metals.

Optics:

- Prismatic, heat-resistant borosilicate glass lens to withstand strong impact and survive crucial weather conditions.
- Excellent optics design, greatly improve the light utilization and evenness. Never turn yellow in color which keeps maximum light output from the LED through the lens.

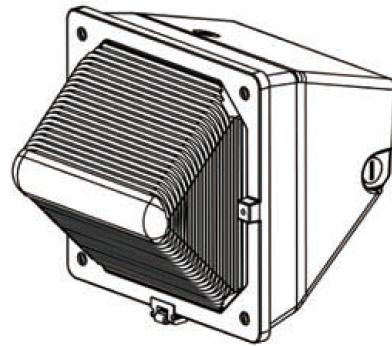
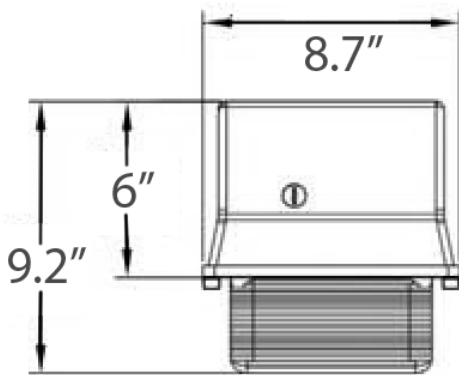
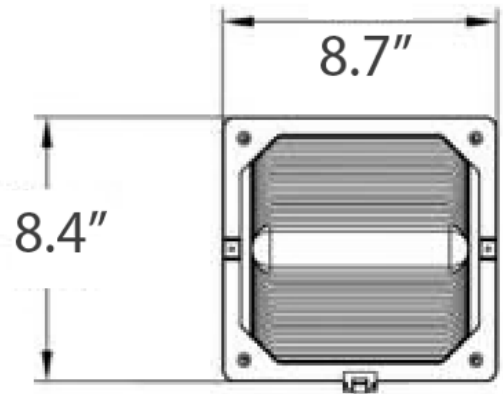
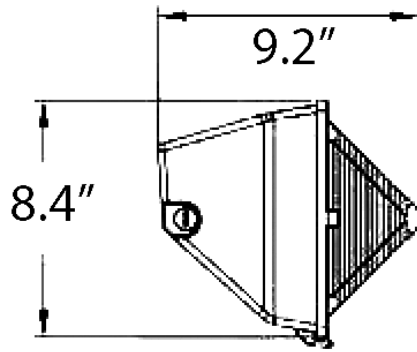
COMPARISON TABLE

Type	Wattage	Energy Saving (%)	L70 Life Span
General Series - 3,000 Lumens	30W	--	>50,000 Hours
100W Metal Halide	115W	74%	10,000 Hours
100W High Pressure Sodium	115W	74%	20,000 Hours

LAMP CODE DEFINITIONS

Product	Power	Color Temp.	Control	Finish
AWODL001: GWP Small Wallpack Light	030W: 30W	40K: 4000 Kelvin 50K: 5000 Kelvin	(blank): no controls PC: 110-277VAC photocell	B: Black D: Dark Bronze W: White

PRODUCT DIMENSIONS

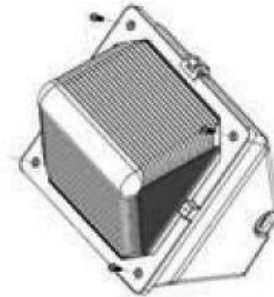


8.7" x 8.4" x 9.2"

APPLICATION

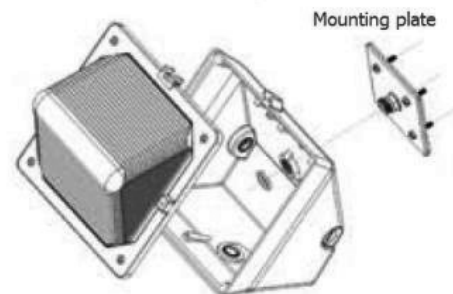
This LED luminaires are designed for outdoor, wet location use not to exceed 105° ambient. Approved for wall/surface applications in down light or upright mount. For branch utilize min 18# 90° wire.

IMPORTANT: To weather-proof your outdoor installation, be sure to seal all holes in fixture housing. (mounting, conduit plugs, photocontrols. Etc.) with silicone sealant



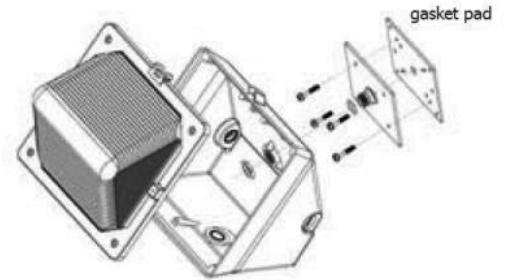
JUNCTION BOX MOUNTING

1. Unscrew the four screws from the doorframe to remove the doorframe, FIG1
2. Remove mounting plate. FIG2
3. Place back gasket pad between mounting plate and Junction Box (not provided), pullwires through center hole of mounting plate. FIG3
4. Connect fixture leads to supply leads (see below wiring method)
5. Install mounting plate over Junction Box with four screws (not provided) FIG3
6. Attach fixture to plate, then close fixture by fastening 4 doorframe screws. FIG4



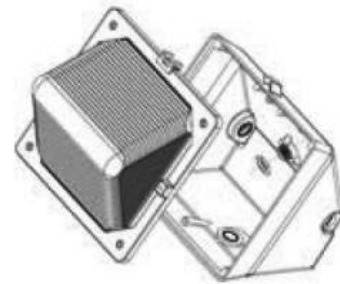
CONDUIT MOUNTING INSTRUCTIONS

1. Unscrew the four screws from the doorframe to remove the doorframe, FIG1
2. Remove mounting plate. FIG2
3. Place back gasket pad between mounting plate and Junction Box (not provided), pull wires through center hole of mounting plate. FIG3
4. Install mounting plate over Junction Box with four screws (not provided) FIG3
5. Remove conduit access plug(s) on housing for desired conduit entrance.
6. Attach 1/2-14 NPT conduit to fixture. Pull leads into Fixture and make connections as noted in the wiring section then reinstall doorframe.



CAUTION

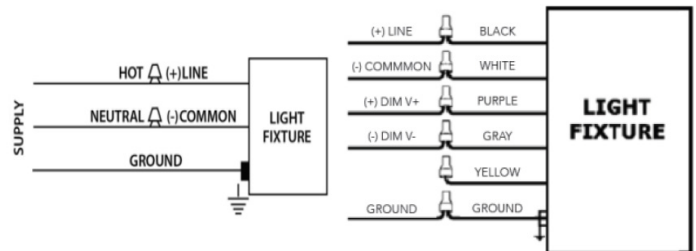
caution this product must be installed in accordance with the applicable installation code by a person familiar with the construction and operation of the product and the hazards involved ce produit doit être installé selon le code d'installation pertinent, par une personne qui connaît bien le produit et son fonctionnement ainsi que les risques inhérents



WIRING

CAUTION: Check that voltage is compatible with fixture Driver. Use approved connectors for all electrical connections

1. Connect the line fixture lead to the hot supply lead.
2. Connect the common fixture lead to the neutral supply lead.
3. Connect the grounding fixture lead to the ground.
4. Connect the purple fixture lead to the (V+) DIM lead (if uses 0-10V dimmable Driver)
5. Connect the gray fixture lead to the (V-) DIM lead (if uses 0-10V dimmable Driver).
6. Make sure connections are secure using wire nuts, crimp-on lugs or other approved connecting devices.



PHOTOMETRIC REPORT

	Center Beam fc	Beam Width	
17.0ft	3.18 fc	60.4 ft	73.7 ft
34.0ft	0.79 fc	120.9 ft	147.3 ft
51.0ft	0.35 fc	181.3 ft	221.0 ft
68.0ft	0.20 fc	241.8 ft	294.7 ft
85.0ft	0.13 fc	302.2 ft	368.3 ft
102.0ft	0.09 fc	362.7 ft	442.0 ft

■ Vert. Spread: 121.3°
■ Horiz. Spread: 130.4°

Zone	Lumens	% Luminaire
0-30	628.0	17.3%
0-40	1,017.8	28.1%
0-60	1,906.8	52.6%
60-90	1,167.8	32.2%
70-100	952.9	26.3%
90-120	457.3	12.6%
0-90	3,074.6	84.7%
90-180	553.5	15.3%
0-180	3,628.1	100%

